



ISO 9001:2008



Fire Prevention



佛山市南海区狮山红光制锁厂
(始创于1959年)

High Security Padlock
STAINLESS STEEL BODY



HG.LOCK

FOSHAN NANHAI DISTRICT SHISHAN HONGGUANG LOCK FACTORY

ADDRESS: DAZHOU DEVELOPMENT ZONE, XIANGLING VILLAGE, GUANGYAO

TOWN, NANHAI DISTRICT FOSHAN CITY, GUANGDONG, CHINA

TEL: 0086 757 85862329

FAX: 0086 757 85892412

E-MAIL: hongguang_lock@163.com

hongguang208@163.com



新产品推介

电力智能管理锁

- 不锈钢/合金锁体, 坚固耐用
 - 加粗锁梁, 抗剪设计
 - 超低功耗, 节能省心
 - 蓝牙开锁, 高效便捷, 安全管理
 - 工作状态LED指示
 - 多重加密, 安全可靠
 - 轻触即开, APP管控
 - 操作记录可查
- 工作电压: DC 3V ±10%
工作温度: -10~+55°C
静态电流: 3uA
电机动作平均电流: 85mA
唤醒连接时间: <200ms
锁止动作时间: 80ms
解闭锁方式: 电机驱动
寿命: 不低于10万次

智能管理
安全可靠



户外机柜

授权用户使用手机即可开锁, 无需携带钥匙, 方便作业人员; 操作记录可查, 管理规范有依据



物流运输箱柜

运输轨迹实时记录; 开箱记录可查看



便携物品箱

多重加密, 安全可靠; 位置信息可查看

应用
场
景

(南方电网合格供应商)

HG.Lock是谁? Who's HG.Lock?

佛山市南海区狮山红光制锁厂的前身是广州红光制锁厂,是由锁匠胡耀华先生于1959年在中国广州市创立。红光制锁厂1960年发明并生产了“圆角牌”弹子顶锁及高级弹珠挂锁。1994年响应国家企业体制改革,红光制锁厂被创始人胡耀华之孙胡德精先生传承,将工厂迁移到产业链更加完善的佛山市南海区狮山镇,并进行了大刀阔斧的改革,引进了芬兰技术和设备,生产叶片钢挂锁,深受客户欢迎。2008年发明了卡封锁(专利号:200820213537.6),2009年发明了发明了“一种防泄密的保安挂锁”(专利号:ZL200920050751.9)和2010年发明了“一种可双重锁定的防盗锁”(专利号ZL200920060788.X),再接再厉,红光制锁厂又于2014年发明了“智能管理锁”一种具有自动锁紧的无源电子锁芯及其钥匙”(专利号:ZL201420479568.1)。红光制锁厂于2005年起被中国南方电网(世界200强企业)评定为合格供应商和中国各大监狱锁头供应商。

Foshan Nanhai Shishan Hongguang Lock Factory is formerly known as Guangzhou Hongguang Lock Factory. was founded in Guangzhou 1959 by Locksmith Mr YaoHua Hu. Hongguang Lock Factory invented and produced YuanJiao Brand Marble Pushing Opening Padlock and senior marbles padlock In1994,in order to response national enterprise reform. Mr HuDeJing inherited Hongguang Lock Factory from his grandpa Mr HuYaoHua. After that Mr Hu DeJing moved the factory to Shishan Twon, Nanhai District, Foshan City where the industrial chain was more perfect. And carried on the bold reform and innovation. And introduced the technology and equipment of Finland. Our Disc padlock is very popular by our customers. In 2008,we developed Card blocked padlock.(The patent No.: 200820213537.6). In 2009, We developed a kind of leak prevention security padlock. (The patent No.:200920050751.9) and in 2010, we developed a double lock anti-theft lock(The patent No. is ZL200920060788.X).To make persistent efforts, Hongguang Lock factory developed intelligent lock, it is a kind of

automatic locking passive electronic lock and key.(The patent No.:ZL201420479568).In 2015, Hongguang Lock Factory was evaluated as the qualified suppliers by China Southern Power Grid (the world top 200 enterprises) and Hongguang lock factory is locks supplier of China prisons.

红光制锁厂历经了半个世纪的发展和考验,从一间家庭作坊式小厂发展至今,已发展成为拥有厂房面积5万平方米,挂锁年生产能力达500万把,圆球锁年生产能力达300万把的规模高级锁具供应商。

Over half a century of development and ordeal, Hongguang Lock Factory has developed into a workshop area of 50000 square meters from a small family type plant. Now, We are high quality padlock supplier whose annual production capacity of padlock is about 5000000 pcs and 3000000pcs cylindrical lock.

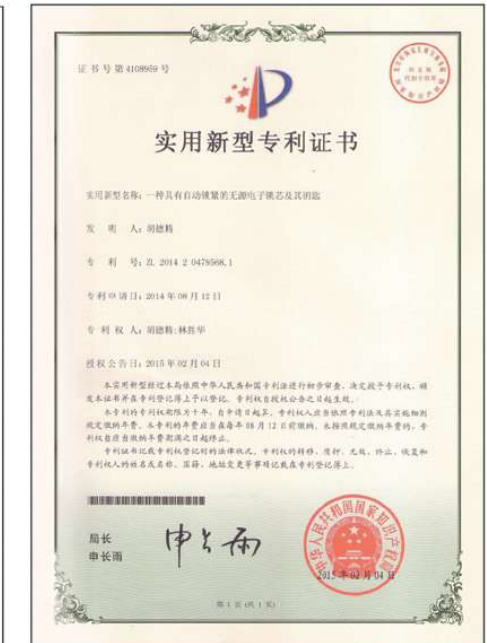
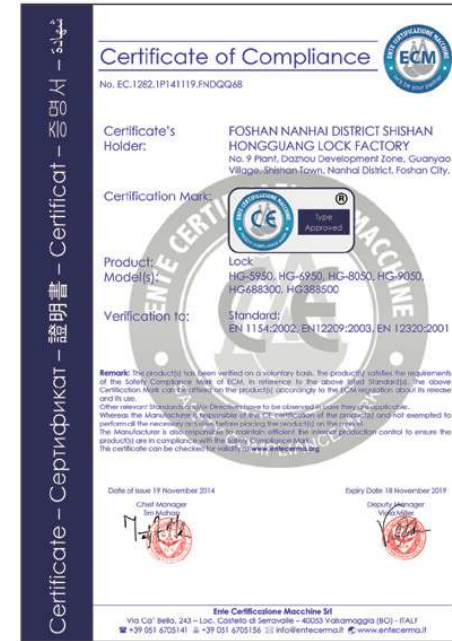
红光制锁厂2014年获得ISO9001.2008认证和获得了欧盟CE认证、以及通过了欧盟防火测试。同时在2014年获得了中国平安财产保险股份有限公司承保。

In 2014,Hongguang Lock Factory achieved "ISO9001:2008 certification" and won the "European Union CE certification" and pass the EU fire prevention Test. At the same time, we have bought the insurance of our padlock from China Ping An Property Insurance Co., Ltd.

而今,红光制锁厂整合了各种优势资源,倾力打造的源自美国顶级安防理念的HG.LOCK品牌锁具更是青出于蓝而胜于蓝的锁具精品,该锁不仅安防功能超群(防剪、防锯、防钻、防撬)而且外观结实美观,价格低廉,是精明用户“物美价廉”必然选择。

Now, Hongguang Lock Factory integrates various advantage resources to make HG.LOCK brand padlock which's originate from USA top security conception. The security function and quality of HG.LOCK excels USA padlock. HG.LOCK padlock not only anti cutting, anti sawing, anti drilling, anti prying and it is very strong beautiful appearance and very low price. It is inevitable choice of all savvy users.

CERTIFICATES



电网专用锁

弧形合金35MM钢合金全包锁和40MM钢合金全包锁



货号: HG-40Q和HG-35Q 刻字: XX供电局门锁

MODEL	A	B	C	D	E	F
HG-35Q	35	42	19	5.5	18	21
HG-40Q	40	54	20	7.2	19	13

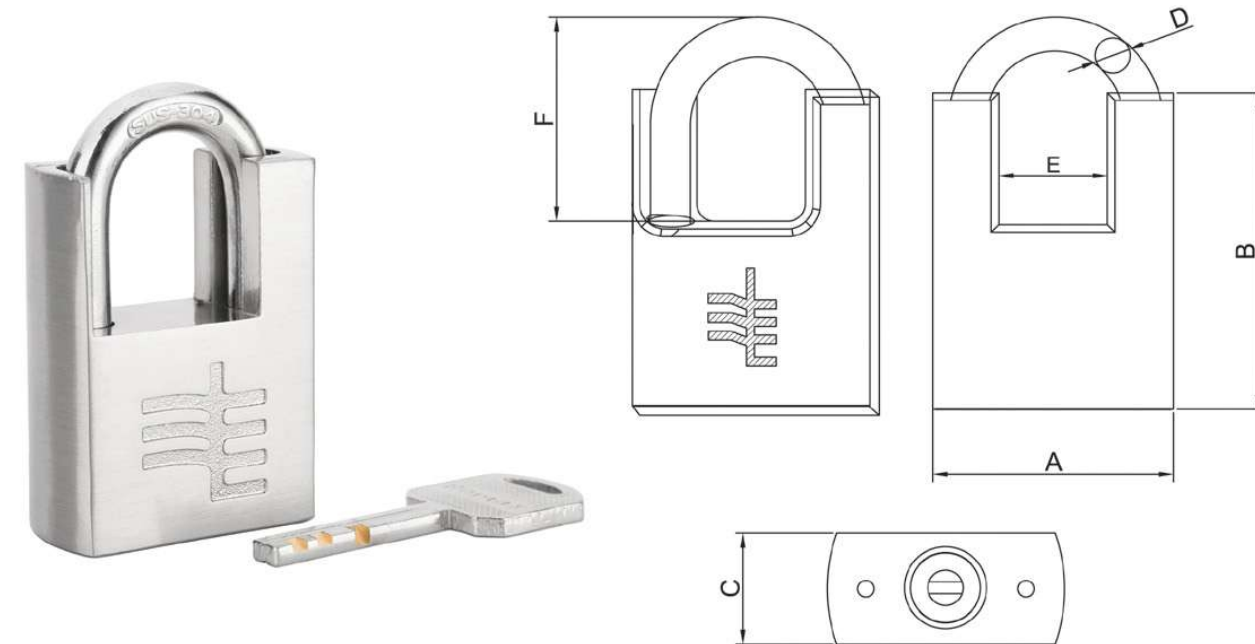
苏宁易购南方电网专区:

HG-35Q 编号	0000278859
HG-40Q 编号	0000278858

特点:

1. 芬兰技术结构, 精密耐用, 机关繁琐复杂, 可有效预防技术开启。
2. 可根据适用部门的实际情况定制一匙通开或者二级管理锁芯及钥匙, 方便管理及有效控制安全事故。
3. 防剪, 防潮, 防撬, 防冻, 防钻, 防火, 适合户外及电房门锁适用。

方形合金40MM半包锁



货号: HG-740 刻字: XX供电局电房门锁

MODEL	A	B	C	D	E	F
HG-740	41	53	20	7	18	10

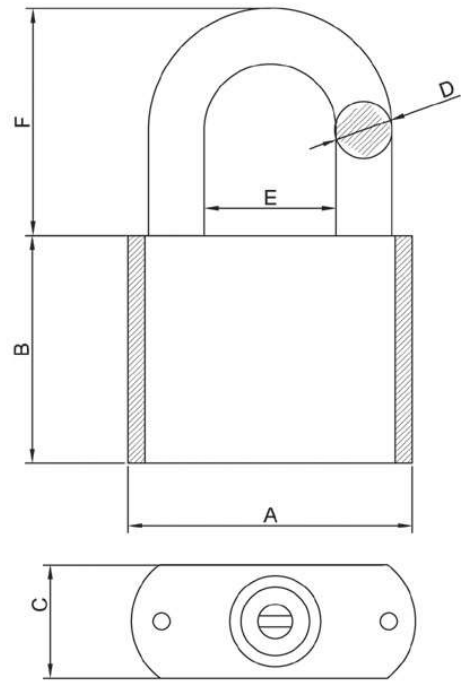
苏宁易购南方电网专区:

HG-740 编号	
-----------	--

特点:

1. 芬兰技术结构, 精密耐用, 机关繁琐复杂, 可有效预防技术开启。
2. 可根据适用部门的实际情况定制一匙通开或者二级管理锁芯及钥匙, 方便管理及有效控制安全事故。
3. 防剪, 防潮, 防撬, 防冻, 防钻, 防火, 适合户外及电房门锁适用。

不锈钢户外锁



货号: HG-40R 304#不锈钢锁 (户外锁)

MODEL	A	B	C	D	E	F
HG-40R	39.5	32	20	7.2	20	32

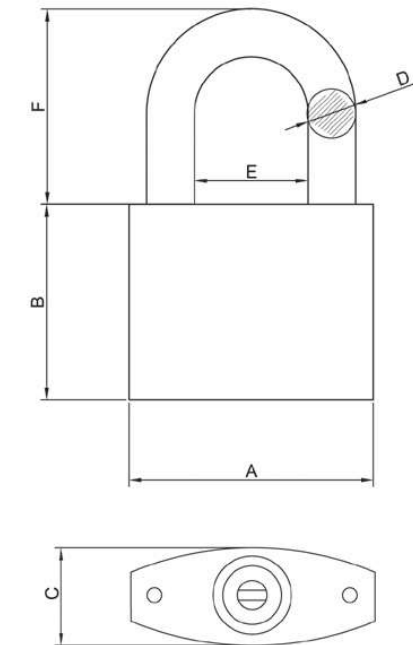
苏宁易购南方电网专区:

HG-40R 编号	
-----------	--

特点:

1. 芬兰技术结构, 精密耐用, 机关繁琐复杂, 可有效预防技术开启。
2. 可根据适用部门的实际情况定制一匙通开或者二级管理锁芯及钥匙, 方便管理及有效控制安全事故。
3. 防剪, 防潮, 防撬, 防冻, 防钻, 防火, 适合户外恶劣环境使用。

公用锁和地刀锁和开关锁



货号: HG-40H和HG-35H 奥迪匙不锈钢锁(公用锁和地刀锁和开关锁)

MODEL	A	B	C	D	E	F
HG-35H	33	32	20	5	19	26
HG-40H	39.5	32	20	7.2	20	33

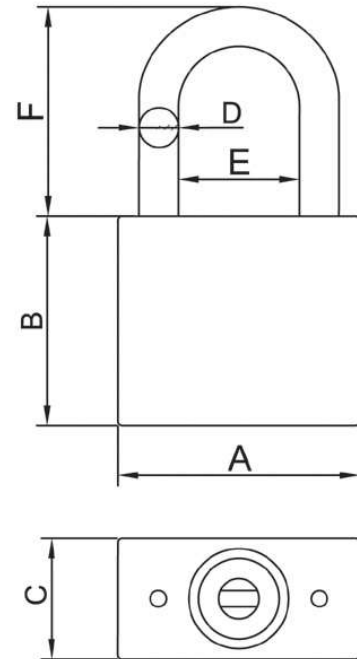
苏宁易购南方电网专区:

HG-35H 编号	
HG-40H 编号	0000278857

特点:

1. 以色列蛇形钥匙叶片结构, 机关精密复杂, 钥匙不易复制, 结构安全性能可靠。
2. 可定制一匙通开, 方便钥匙管理, 有效控制安全事故。
3. 防潮, 防冻, 防撬, 防火, 防复制钥匙, 适合户内高等安全管理使用。

不锈钢地刀锁



货号: HG-30A 不锈钢地刀锁 刻字: XX供电局地刀锁

MODEL	A	B	C	D	E	F
HG-30A	30	21	15	5	15	24

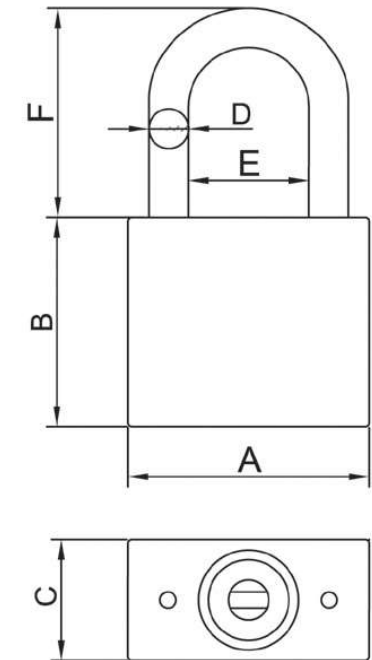
苏宁易购南方电网专区:

HG-30A 编号	
-----------	--

特点:

1. 芬兰技术结构, 精密耐用, 机关繁琐复杂, 可有效复方技术开启。
2. 可定制一匙通或二级管理功能, 方便控制与管理钥匙, 有效控制安全事故。
3. 防潮, 防冻, 防火, 防钻, 防撬, 安全可靠, 结实耐用。

黑色钢合金表箱锁



货号: HG-30B 黑色钢合金表箱锁 刻字: XX供电局表箱锁

MODEL	A	B	C	D	E	F
HG-30B	29	20	14	5	15	24

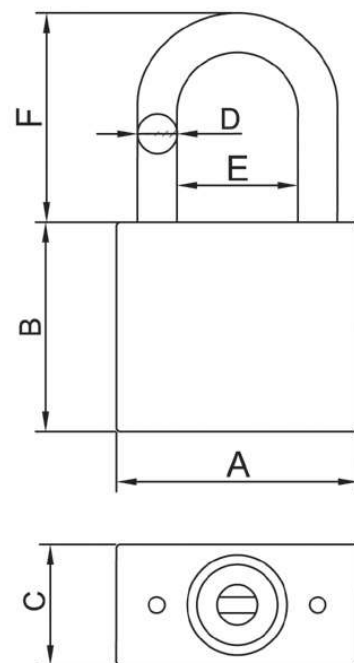
苏宁易购南方电网专区:

HG-30B 编号	
-----------	--

特点:

1. 芬兰技术结构, 精密耐用, 机关繁琐复杂, 可有效复方技术开启。
2. 可定制一匙通或二级管理功能, 方便控制与管理钥匙, 有效控制安全事故。
3. 防潮, 防冻, 防火, 防钻, 防撬, 安全可靠, 使用方便。

不锈钢地刀锁



货号: **HG-30N** 刻字: XX供电局地刀锁

MODEL	A	B	C	D	E	F
HG-30N	30	21	15	5	15	24

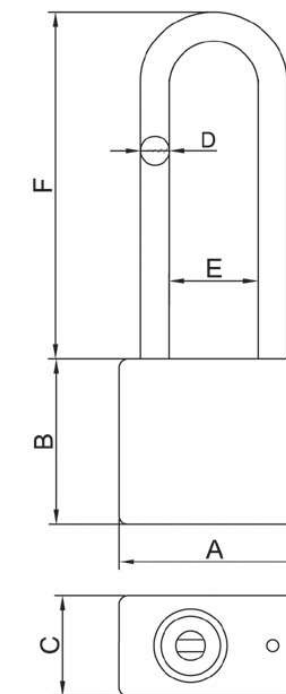
苏宁易购南方电网专区:

HG-30N 编号	
-----------	--

特点:

1. 芬兰技术结构, 精密耐用, 机关繁琐复杂, 可有效预防技术开启。
2. 可定制一匙通或二级管理功能, 方便控制与管理钥匙, 有效控制安全事故。
3. 防潮, 防冻, 防火, 防钻, 防撬, 安全可靠, 结实耐用。

长梁钢合金地刀锁/开关锁



货号: **HG-30LB** 刻字: XX供电局地刀锁/开关锁

MODEL	A	B	C	D	E	F
HG-30LB	32	31	18	5	15	50

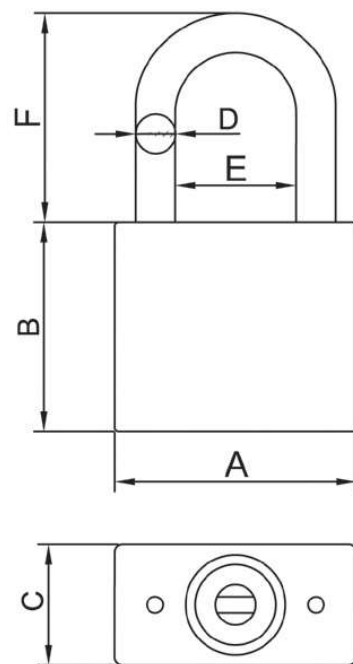
苏宁易购南方电网专区:

HG-30LB 编号	
------------	--

特点:

1. 芬兰技术结构, 精密耐用, 机关繁琐复杂, 可有效预防技术开启。
2. 可定制一匙通或二级管理功能, 方便控制与管理钥匙, 有效控制安全事故。
3. 防潮, 防冻, 防火, 防钻, 防撬, 安全可靠, 结实耐用。
4. 加长锁梁, 更方便。

不锈钢专用锁



货号: **HG-32A** 刻字: XX供电局专用锁

MODEL	A	B	C	D	E	F
HG-32A	33	32	18	5	19	26

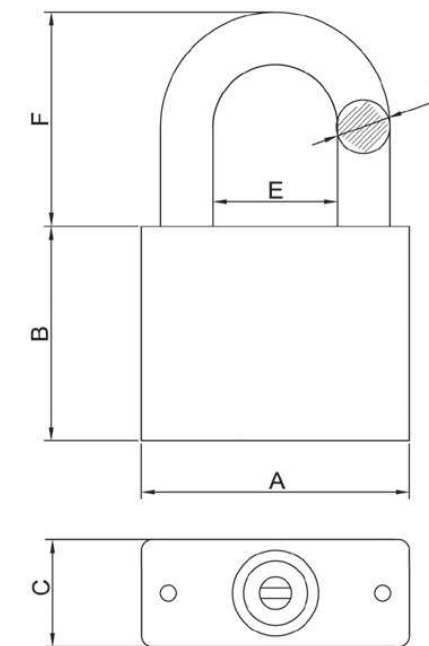
苏宁易购南方电网专区:

HG-32A 编号	
-----------	--

特点:

1. 芬兰技术结构, 精密耐用, 机关繁琐复杂, 可有效预防技术开启。
2. 可定制一匙通或二级管理功能, 方便控制与管理钥匙, 有效控制安全事故。
3. 防潮, 防冻, 防火, 防钻, 防撬, 安全可靠, 结实耐用。

不锈钢公用锁



货号: **HG-40N** 刻字: XX供电局公用锁

MODEL	A	B	C	D	E	F
HG-40N	40	32	20	7.2	20	33

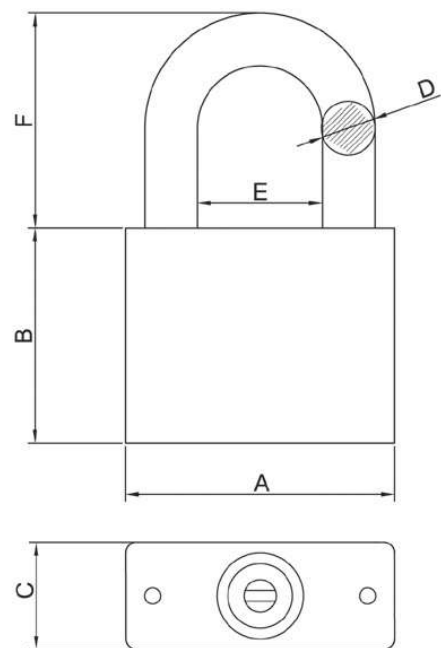
苏宁易购南方电网专区:

HG-40N 编号	
-----------	--

特点:

1. 芬兰技术结构, 精密耐用, 机关繁琐复杂, 可有效预防技术开启。
2. 可定制一匙通或二级管理功能, 方便控制与管理钥匙, 有效控制安全事故。
3. 防潮, 防冻, 防火, 防钻, 防撬, 安全可靠, 结实耐用。

钢合金门锁



货号: **HG-40NB** 刻字: XX供电局门锁

MODEL	A	B	C	D	E	F
HG-40NB	40	31.5	20	7.2	20	33

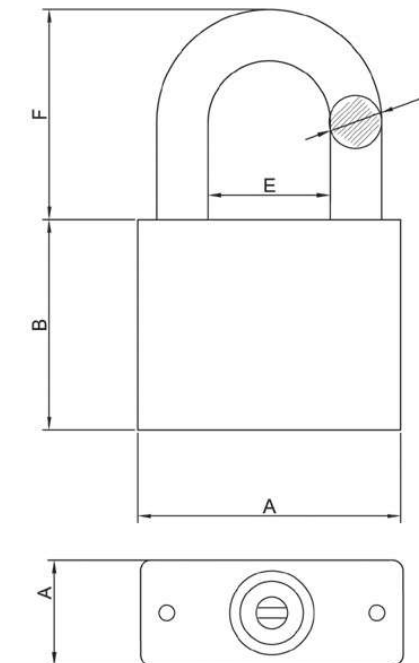
苏宁易购南方电网专区:

HG-40NB 编号	
------------	--

特点:

1. 芬兰技术结构, 精密耐用, 机关繁琐复杂, 可有效预防技术开启。
2. 可定制一匙通或二级管理功能, 方便控制与管理钥匙, 有效控制安全事故。
3. 防潮, 防冻, 防火, 防钻, 防撬, 安全可靠, 结实耐用。

不锈钢户外锁



货号: **HG-50N** 刻字: XX供电局户外锁

MODEL	A	B	C	D	E	F
HG-50N	50	38	20	9.8	23.5	38.5

苏宁易购南方电网专区:

HG-50N 编号	
-----------	--

特点:

1. 芬兰技术结构, 精密耐用, 机关繁琐复杂, 可有效预防技术开启。
2. 可根据适用部门的实际情况定制一匙通开或者二级管理锁芯及钥匙, 方便管理及有效控制安全事故。
3. 防水, 防撬, 防冻, 防钻, 防火, 适合户外恶劣环境使用。

高级金融专用锁

金色银色马仔卡封锁



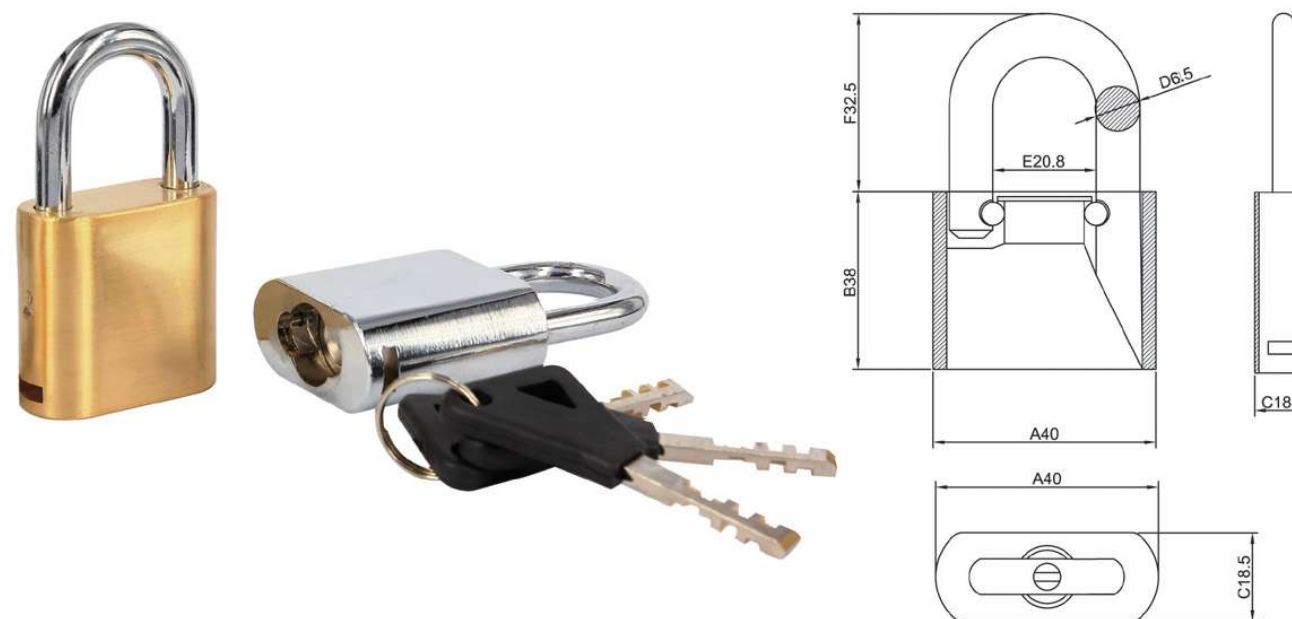
货号: HG-KF01/02/03/04

MODEL	A	B	C	D	E	F
HG-KF01	32	38	18	5	18	34
HG-KF02	40	39	18	7.2	20	32
HG-KF03	32	38	18	5	18	34
HG-KF04	40	39	18	7.2	20	32

特点:

1. 芬兰款技术结构, 机关繁琐复杂, 匙密量大, 防泄密功能。
2. 可定制一匙通开或二级管理, 方便管理, 安全可靠。
3. 防潮, 防火, 防泄密, 防技术开启。

金色银色大圆角卡封锁



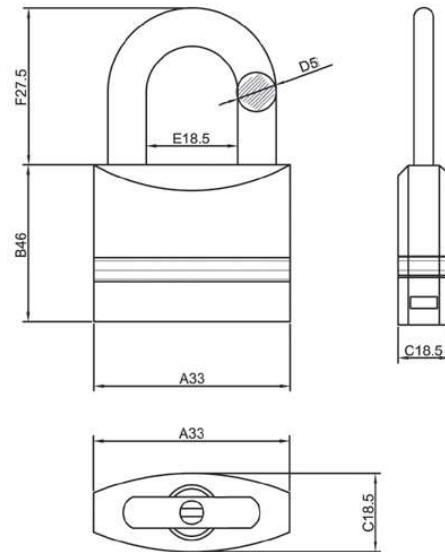
货号: HG-KF04/05

MODEL	A	B	C	D	E	F
HG-KF04	40	38	18	6.5	21	31
HG-KF05	40	38	18	6.5	21	31

特点:

1. 芬兰款技术结构, 机关繁琐复杂, 匙密量大, 防泄密功能。
2. 可定制一匙通开或二级管理, 方便管理, 安全可靠。
3. 防潮, 防火, 防泄密, 防技术开启。

高身胶条卡封锁



货号: HG-KF07/08

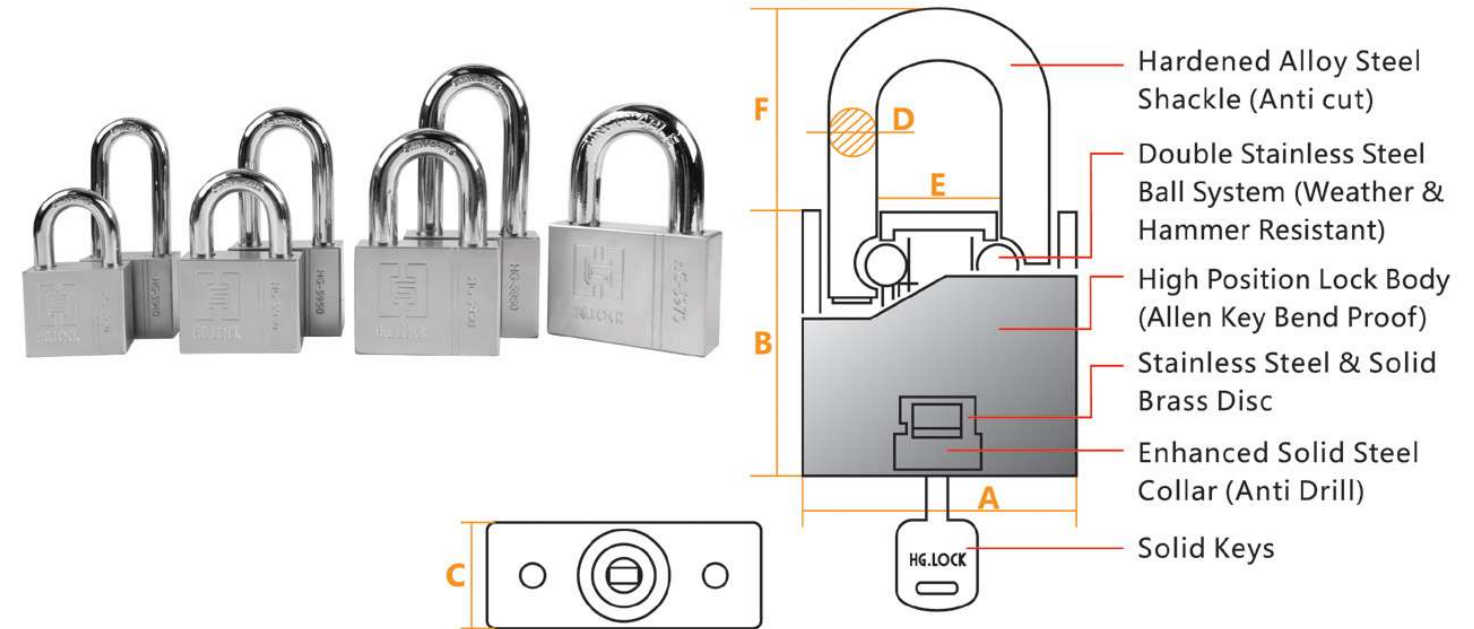
MODEL	A	B	C	D	E	F
HG-KF07	33	46	18	5	18	27
HG-KF08	39.5	46	18	6.5	21	31

特点:

1. 芬兰款技术结构, 机关繁琐复杂, 匙密量大, 防泄密功能。
2. 可定制一匙通开或二级管理, 方便管理, 安全可靠。
3. 防潮, 防火, 防泄密, 防技术开启。

出口热销锁具

59系列: 59 LOW CARBON STEEL SERIES



Model: HG-59

MODEL	A	B	C	D	E	F
HG-5940	40	36	20	8.2	20	34
HG-5940L	40	36	20	8.2	20	56
HG-5950	50	40	22	9.8	23	36
HG-5950L	50	40	22	9.8	23	63
HG-5960	60	45	22	11.8	25	50
HG-5970	70	50	22	13.8	31	53

FUNCTION:

MODEL	ANTI CUTTING	ANTI SAWING	ANTI HAMMER	ANTI DRILLING	ANTI ACID	ANTI HEX KEY
HG-59	YES	YES	YES	YES	YES	YES



Anti-Drilling



Anti-Hammering



Anti-Cut



Anti-Sawing

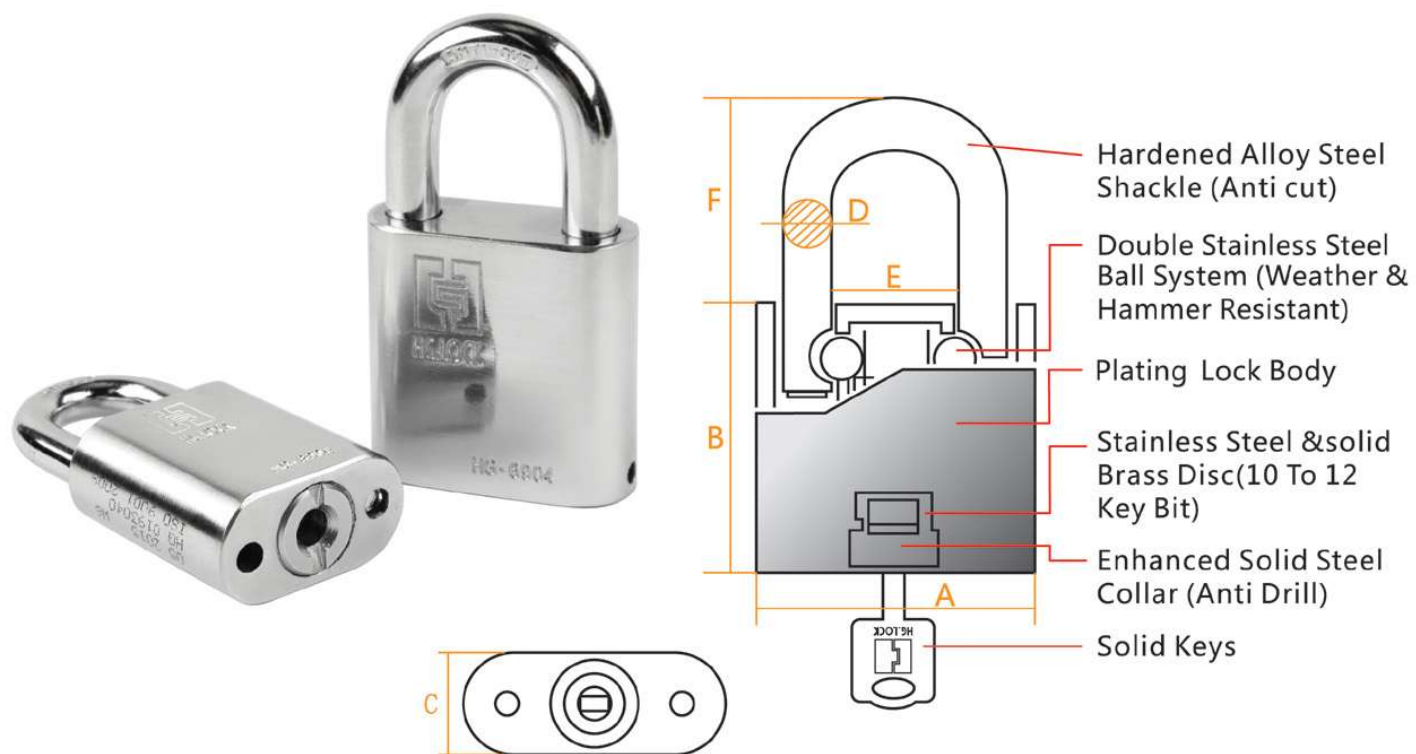


Anti-Acid



Anti-Allenkey Bend

69系列: 69 LOW CARBON STEEL SERIES



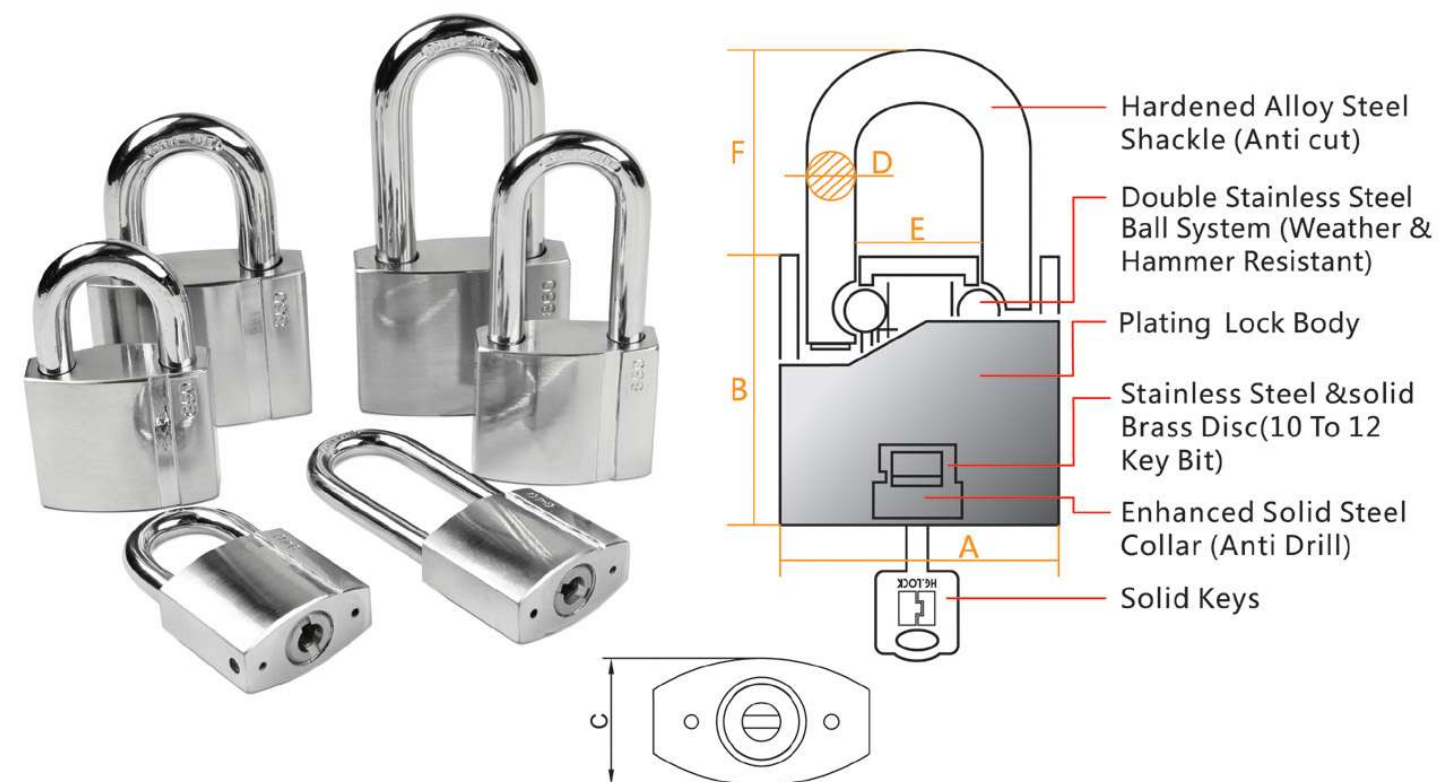
Model: HG-69

MODEL	A	B	C	D	E	F
HG-6940	40	45	22	8.2	18.4	35
HG-6950	50	50	22	9.8	23.5	36

MODEL	ANTI CUTTING	ANTI SAWING	ANTI HAMMERING	ANTI DRILLING	ANTI ACID	ANTI HEX KEY	REKEYABLE
HG-6950	YES	YES	YES	YES	YES	YES	YES



84系列: 84 LOW CARBON STEEL SERIES



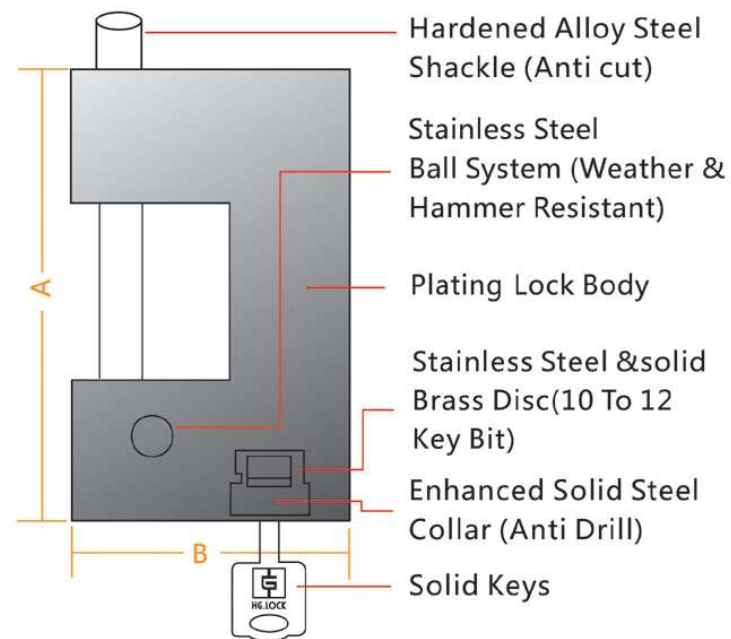
Model: HG-84~HG-86

MODEL	A	B	C	D	E	F
HG-840	40	36	21	7.8	20	34
HG-840L	40	36	21	7.8	20	60
HG-850	50	42	22	9.8	23	36
HG-850L	50	42	22	9.8	23	65
HG-860	60	48	24	11.8	25	51
HG-860L	60	48	24	11.8	31	73

MODEL	ANTI CUTTING	ANTI SAWING	ANTI HAMMERING	ANTI DRILLING	ANTI ACID	ANTI HEX KEY	REKEYABLE
HG-84/86	YES	YES	YES	YES	YES	YES	YES



86系列: 86 LOW CARBON STEEL SERIES



Model: HG-86

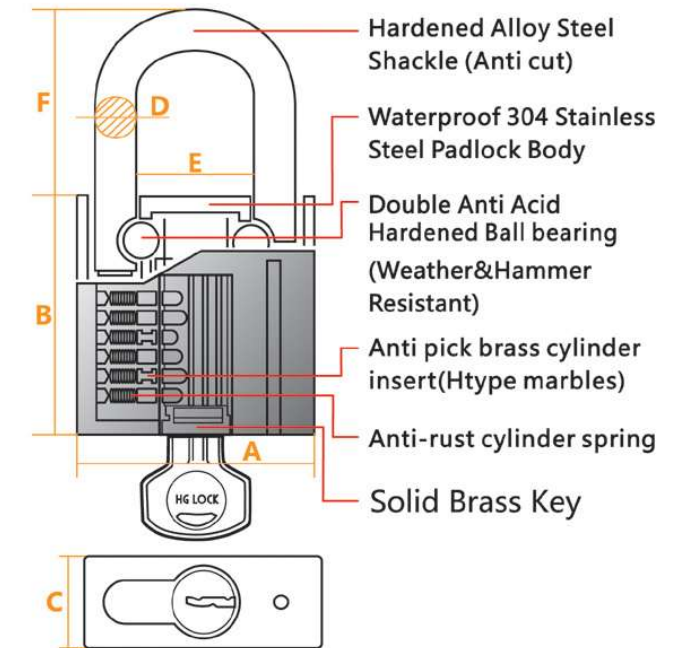
MODEL	A	B	C	D	E	F
HG-8650	50	45	20	11.2	30	21
HG-8660	60	45	20	11.2	30	22
HG-8670	70	45	20	11.2	30	22

FUNCTION:

MODEL	ANTI CUTTING	ANTI SAWING	ANTI HAMMER	ANTI DRILLING	ANTI ACID	ANTI HEX KEY
HG-86	NO	YES	YES	YES	YES	YES



80系列: 80 S.S SPRING SERIES



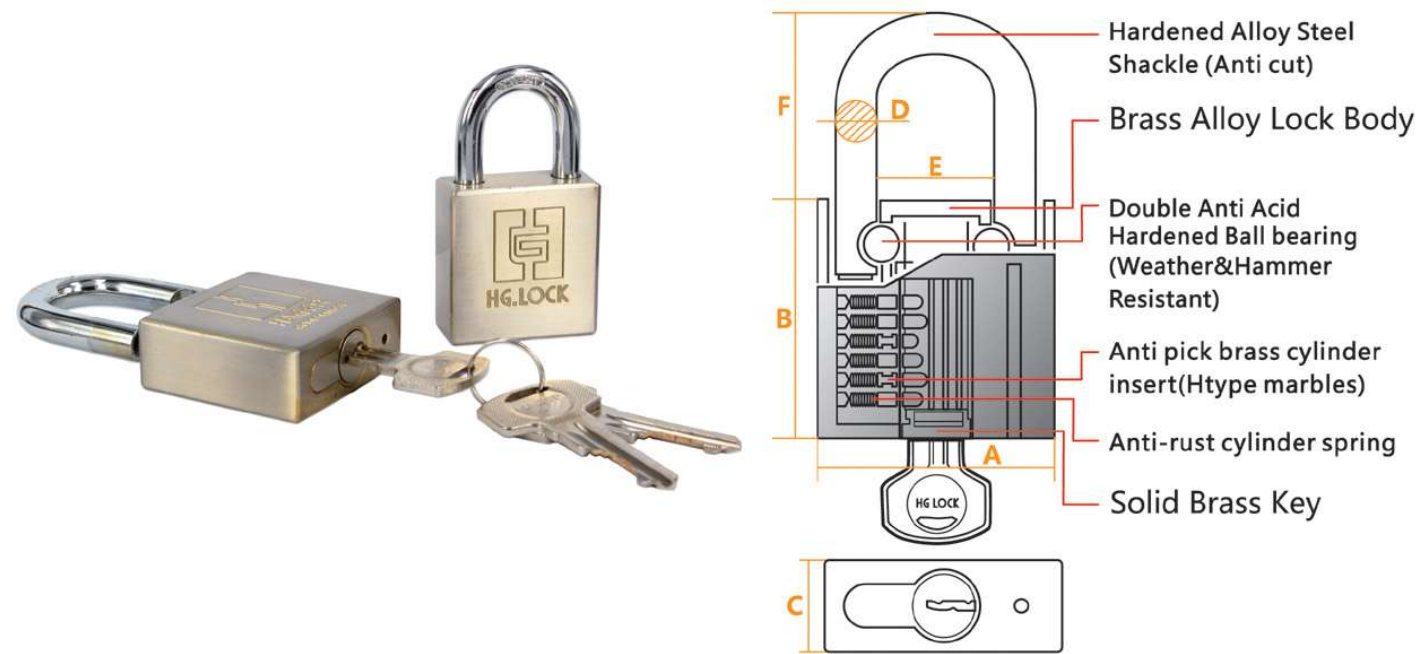
Model: HG-80

MODEL	A	B	C	D	E	F
HG-8040	40	45	20	7.8	20	32
HG-8050	50	50	20	9.8	21	38

MODEL	ANTI CUTTING	ANTI SAWING	ANTI HAMMERING	ANTI DRILLING	ANTI ACID	ANTI PRYING
HG-80	YES	YES	YES	NO	YES	YES



00系列: 00 BRASS ALLOY SERIES



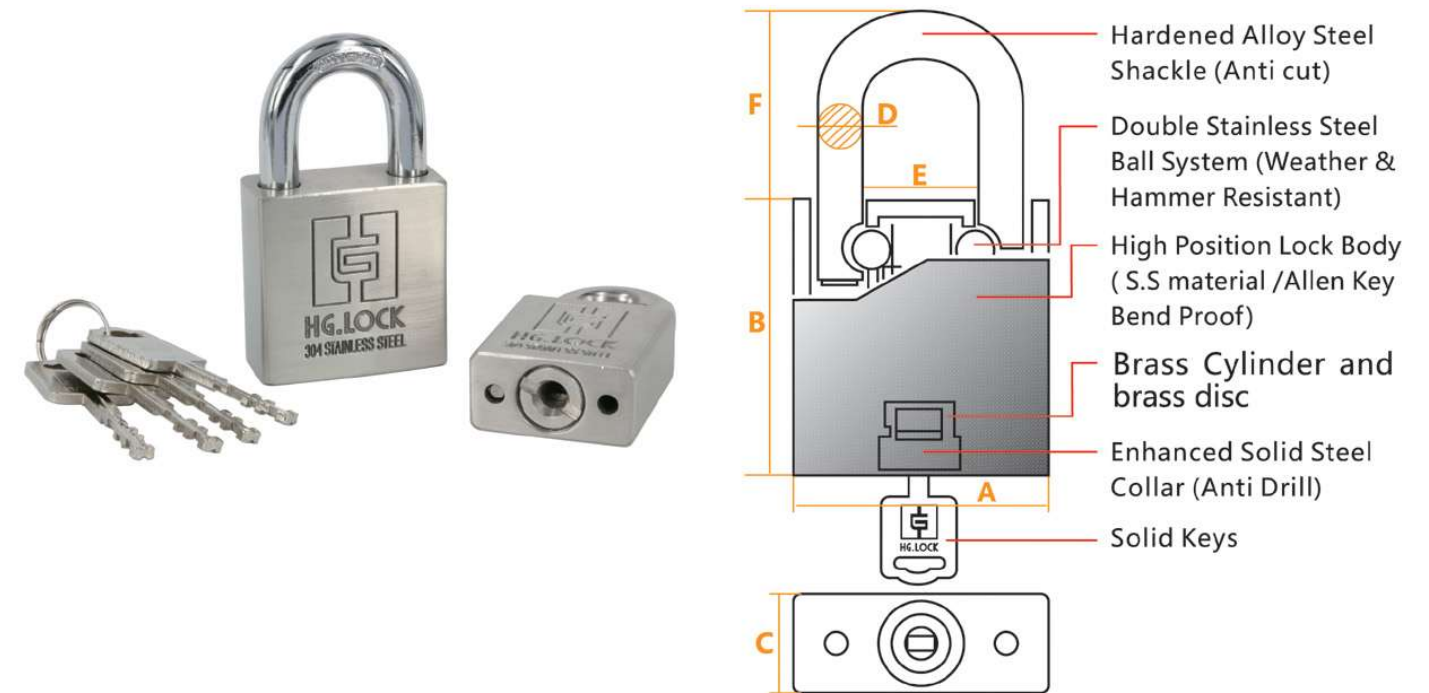
Model: HG-00

MODEL	A	B	C	D	E	F
HG-0045	45	45	20	7.8	20	32
HG-0055	55	50	20	9.8	21	38

MODEL	ANTI CUTTING	ANTI SAWING	ANTI HAMMERING	ANTI DRILLING	ANTI ACID	ANTI PRYING
HG-00	YES	YES	YES	NO	YES	YES



90系列: 90 S.S DISC SERIES



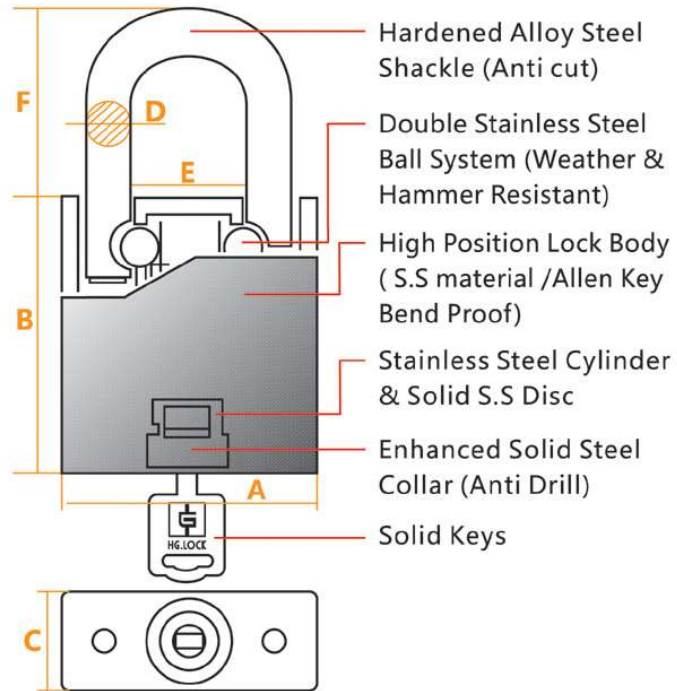
Model: HG-90

MODEL	A	B	C	D	E	F
HG-9040	40	45	20	7.8	20	32
HG-9050	50	50	20	9.8	21	38

MODEL	ANTI CUTTING	ANTI SAWING	ANTI HAMMER	ANTI DRILLING	ANTI ACID	ANTI HEX KEY
HG-90	YES	YES	YES	YES	YES	YES



10系列: 10 S.S DISC SERIES



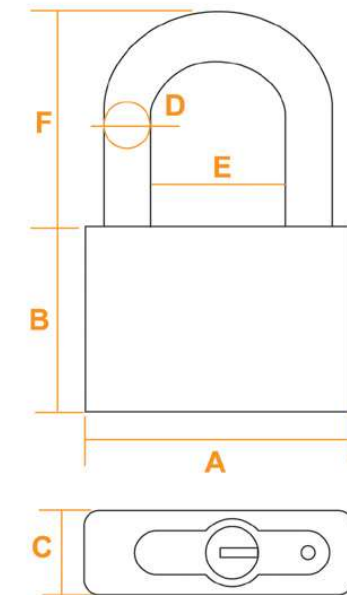
Model: HG-10

MODEL	A	B	C	D	E	F
HG-1040	40	45	20	7.8	20	32
HG-1050	50	50	20	9.8	21	38

MODEL	ANTI CUTTING	ANTI SAWING	ANTI HAMMER	ANTI DRILLING	ANTI ACID	ANTI HEX KEY
HG-10	YES	YES	YES	YES	YES	YES



20 S.S DOUBLE PIN PADLOCK SERIES



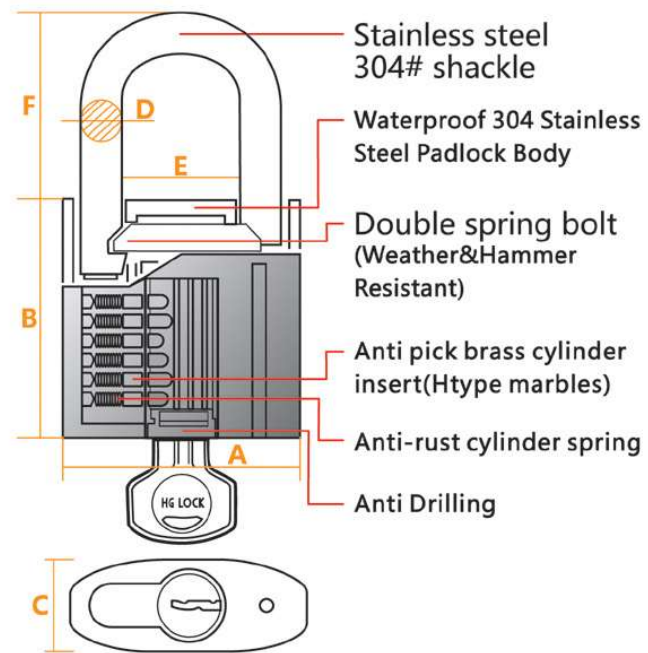
Model: HG-20

MODEL	A	B	C	D	E	F
HG-2050	50	45	21	9.8	23	42
HG-2060	60	50	21	11.8	26	45
HG-2070	69	50	21	14.0	30	52

MODEL	ANTI CUTTING	ANTI SAWING	ANTI HAMMER	ANTI DRILLING	ANTI ACID	ANTI PRYING
HG-20	YES	YES	YES	YES	YES	YES



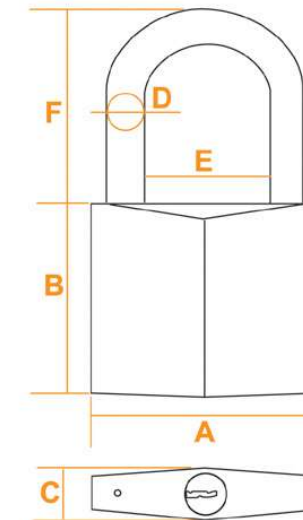
30系列: 30 S.S SPRING SERIES



Model: HG-30

MODEL	A	B	C	D	E	F
HG-3030	30	30	13	5	15	24
HG-3040	40	34	15	6	21	29
HG-3050	50	40	17	9	25	34
HG-3060	60	50	21	11	30	43

HG-271~HG-276 BRASS SPRING SERIES

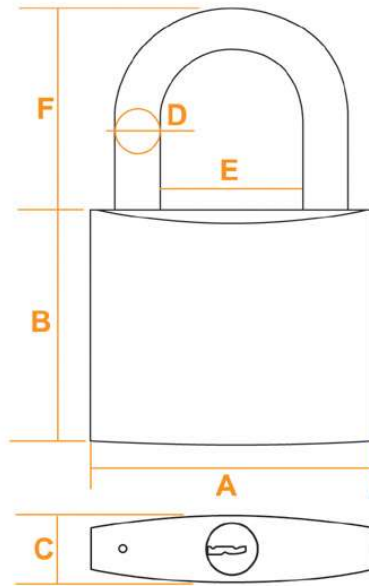


Model: HG-271~276

MODEL	A	B	C	D	E	F
HG-271	20	20	10	3.5	11	15
HG-272	25	21.5	11	4	13	18
HG-273	30	27	12.5	5.3	16	24
HG-274	40	32	13.5	6.3	21	26
HG-275	50	41	15	8.4	26	39
HG-276	60	51	20	11.2	35	44

MODEL	ANTI SAWING	ANTI HAMMER	ANTI PRYING
HG-271~276	YES	YES	YES

HG-371~HG-376 ARC BRASS SERIES

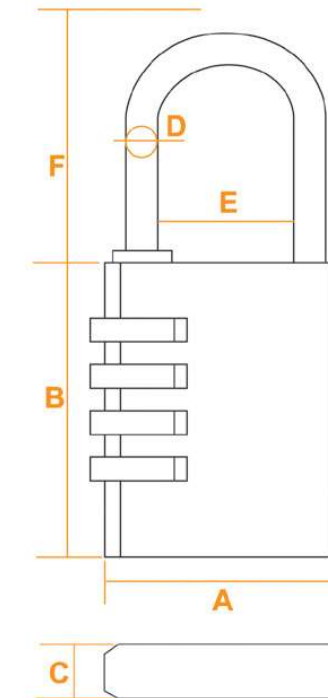


Model: HG-371~HG-377

MODEL	A	B	C	D	E	F
HG-371/371L	20	18	10	3.5	10	16/28.5
HG-372/372L	25	23	11	4.3	12.4	17.8/39.3
HG-373/373L	30	27	12.5	5.1	15.3	22.6/47.1
HG-374/374L	40	33	12.8	6.2	21.6	29.2/63.2
HG-375	50	40	17	8	28	36
HG-376	60	43	18.3	10	32	46
HG-377	70	48	20	11	40	51

MODEL	ANTI SAWING	ANTI HAMMER	ANTI PRYING
HG-37	YES	YES	YES

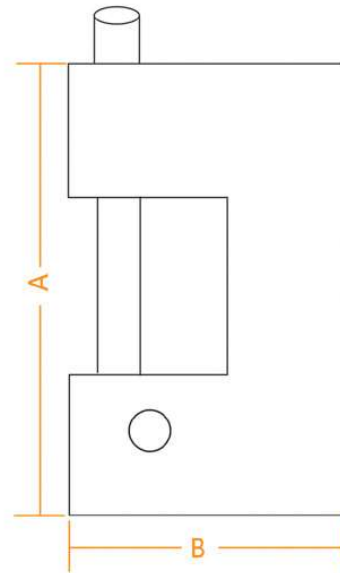
HG-C320~HG-C440 COMBINATION SERIES



Model: HG-C320~HG-440

MODEL	A	B	C	D	F
HG-C320	20	30	10.5	3	21.5
HG-C330	28.5	41	12.5	5	27.5
HG-C440	40	47	12.5	6	30

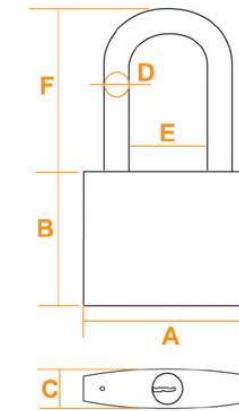
HG-471~HG-475 ARC BRASS SERIES



Model: HG-47

MODEL	A	B	C	D
HG-471	50	38	15	11.8
HG-472	60	44	16	11.8
HG-473	70	48	18	11.8
HG-474	80	58	18	11.8
HG-475	90	60	19	11.8

HG-471 ARC BRASS SERIES



Model: HG-471

MODEL	A	B	C	D	F
HG-471	22	18	11	3	15

HG-688300

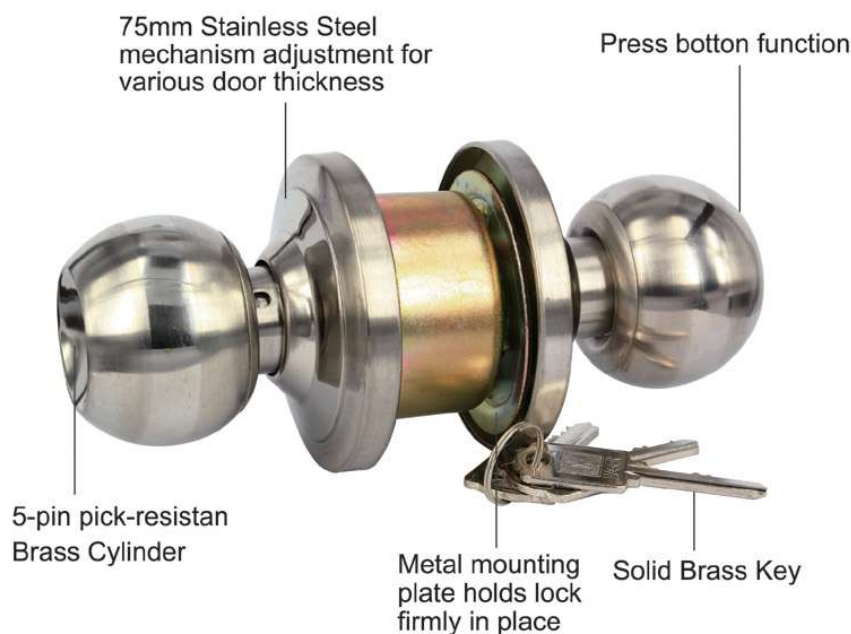


Specification

- *Stainless steel 304# material
- *Fits all standard doors and accommodates backsets and door thickness from 35 to 45mm
- pin pick-resistan Brass Cylinder
- *Both roses are threaded to enhance installation perfection
- *Throw adjustable deadlatch completely reversible for flat and bevelled doors .
- *3 Solid Brass Key provided
- *Surface: Setain Finished

Item No.	Packing	G.W.
HG-688300	24pcs	19.8KG

HG-688400

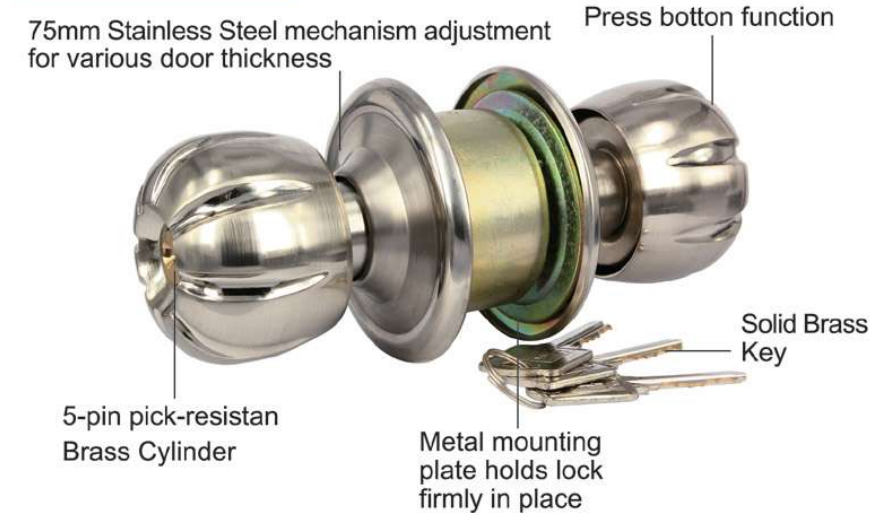


Specification

- *Casting Zinc Alloy Material
- *Fits all standard doors and accommodates backsets and door thickness from 35 to 45mm
- pin pick-resistan Brass Cylinder
- *Both roses are threaded to enhance installation perfection
- *Throw adjustable deadlatch completely reversible for flat and bevelled doors .Solid Spring Bolt
- *3 Solid Brass Key provided
- *Surface: Setain Finished with Mirror Ring

Item No.	Packing	G.W.
HG-688400	24pcs	19.8KG

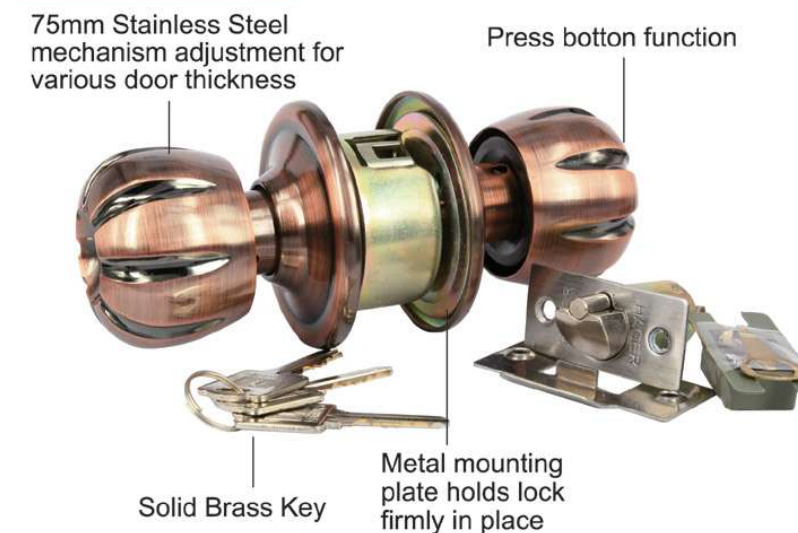
HG-388500



Specification

- *Casting Zinc Alloy Material
- *Fits all standard doors and accommodates backsets and door thickness from 35 to 45mm
- pin pick-resistan Brass Cylinder
- *Both roses are threaded to enhance installation perfection
- *Throw adjustable deadlatch completely reversible for flat and bevelled doors .Solid Spring Bolt
- *3 Solid Brass Key provided
- *Surface: SS Plating

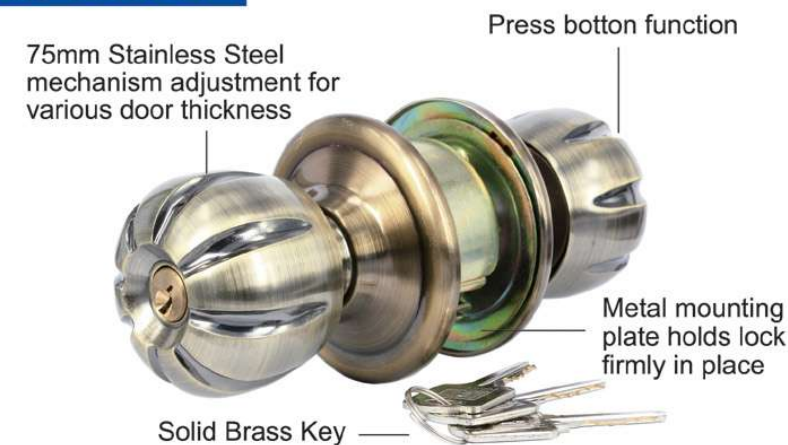
HG-388600



Specification

- *Casting Zinc Alloy Material
- *Fits all standard doors and accommodates backsets and door thickness from 35 to 45mm
- pin pick-resistan Brass Cylinder
- *Both roses are threaded to enhance installation perfection
- *Throw adjustable deadlatch completely reversible for flat and bevelled doors .Solid Spring Bolt
- *3 Solid Brass Key provided
- *Surface: Red Plating

HG-388700



Specification

- *Casting Zinc Alloy Material
- *Fits all standard doors and accommodates backsets and door thickness from 35 to 45mm
- pin pick-resistan Brass Cylinder
- *Both roses are threaded to enhance installation perfection
- *Throw adjustable deadlatch completely reversible for flat and bevelled doors .Solid Spring Bolt
- *3 Solid Brass Key provided
- *Surface: Cyan Plating

The HG.LOCK locks and padlocks are powered by the battery-operated key, meaning that HG.LOCK can provide several types of locks as illustrated below and provide powerless locks and padlocks with access control features.

The HG.LOCK is a key management system allowing the operator to manage the following:

*When, Where and for how long can the user have access the lock. *Both the lock and key can't be copied, if the key was lost, just need to cancel that key in the system. Then create another new key and no need to change the original lock.

*The key can be renewable by operator to have more or less access rights and change the access rights from permanent to temporary.

*Both the lock and key have an embedded memory, so the operator can check the access details.



FUNCTION COMPARE:

FUNCTIONS	HG.LOCK	STANDRAD MECHANICAL	CARD SYSTEM	MASTER KEY	IRIS	VEIN READER	FINGER PRINT
Easy to install and remove	YES	YES	NO	YES	NO	NO	NO
Used Inside or Outside	YES	YES	NO	YES	NO	NO	NO
Don' t need regular maintenance on the door	YES	YES	NO	YES	NO	NO	NO
Can Control who goes where and when people have access	YES	NO	YES	YES	YES	YES	NO
Key/ID can not be copied	YES	NO	NO	NO	YES	YES	NO
Cancel Lost/ Stolen Key/Id	YES	NO	YES	NO	YES	YES	YES
One Key can open 10000 Doors	YES	NO	YES	NO	NO	NO	NO
Works without Power	YES	YES	NO	YES	NO	NO	NO
Wireless Time and Attendance Function	YES	NO	YES	NO	YES	YES	NO
Key/ID Management System	YES	NO	YES	NO	YES	NO	YES
Anti Bumped /Picked	YES	NO	YES	NO	YES	YES	YES

Widely Used:

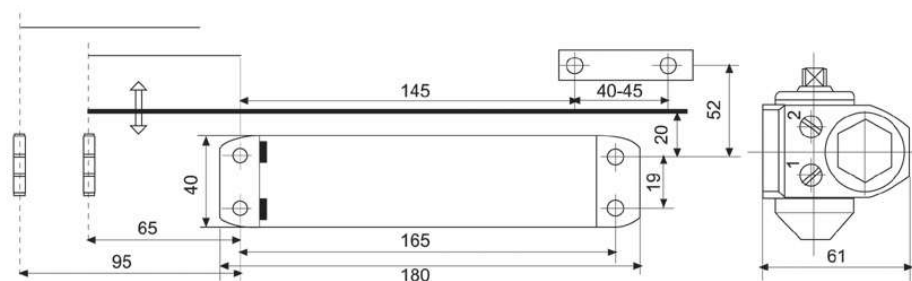
Electric Power Industry	Logistics industry	National defense	Telecom Industry	Escort Industry	Prison	ETC
YES	YES	YES	YES	YES	YES



HEAVY DUTY DOOR CLOSER

801 series:

1. Power level: 3#
2. Fire Rated
3. Life Time: Passed durability test, 50 0000 cycles
4. With stop function (position at 90 degree and non-positioning at 180 degree)
5. The body is made of casting aluminum alloy, with 3-layer bright lacquer coating
6. Piston rack made of chrome steel treated with high frequency modulation, make the product more long service life.
7. Adjustable speed closing section is 180-20 degree, and the force-adjustable locking section 20-0



Technical data:

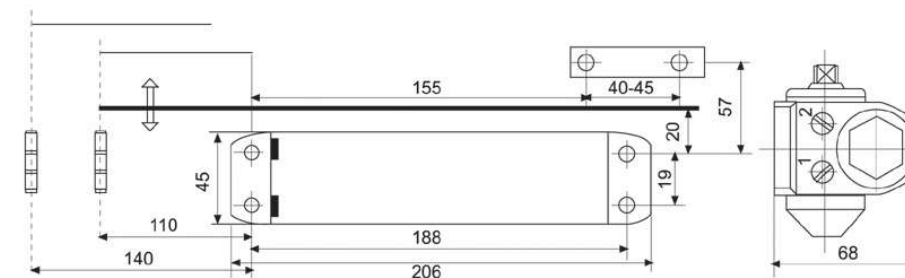
MODEL	APPLICATION	DOOR SIZE x HELGHT	LOADING WEIGHT(kg)	FUNCTIONAL CHOLCE
801	All metal & steel & plastic door	950mm	≤ 60Kg	90° Hold-open/Non Hold-open



HEAVY DUTY DOOR CLOSER

802 series

1. Power level: 4#
2. Fire Rated
3. Life Time: Passed durability test, 50 0000 cycles
4. With stop function (position at 90 degree and non-positioning at 180 degree)
5. The body is made of casting aluminum alloy, with 3-layer bright lacquer coating
6. Piston rack made of chrome steel treated with high frequency modulation, make the product more long service life.
7. Adjustable speed closing section is 180-20 degree, and the force-adjustable locking section 20-0



Technical data:

MODEL	APPLICATION	DOOR SIZE x HELGHT	LOADING WEIGHT(kg)	FUNCTIONAL CHOLCE
802	All metal & steel & plastic door	1100mm	≤ 80Kg	90° Hold-open/Non Hold-open