



BBT ANTENNAS INC

Model NO: BBT-0821CL0204V

Type : Ceiling Antenna

Application:

★For indoor distributed wireless coverage system (For indoor DAS)

★Support GSM、CDMA、3G、 Wireless system

Features:

★Wide bandwidth,Low VSWR, stable performance,Omnidirectional

★Small size, attractive appearance

★Regular ceiling installation, use conveniently

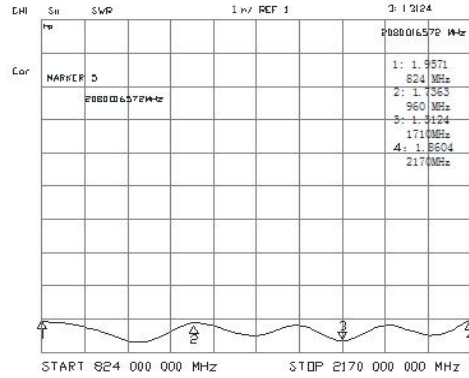


Specifications:

Electrical		
Model Number	BBT-0821CL0204V	
Frequency Range	824-960MHZ	1710-2170MHZ
Polarization Type	Vertical	
Gain	2.14dBi	4dBi
3dB Beam-Width. H-Plan	360°	360°
3dB Beam-Width. E-Plan	80°	60°
VSWR	≤2	
Input Impedance	50Ω	
Max Input Power.	50W	
Lightning Protection	DC Grounded	
Mechanical		
Connector Type	N-Type Female	
Cable	RG58U	
Cable length	30cm	
Dimensions H*W*D (mm)	Φ115*71(mm)	
Weight	234g	

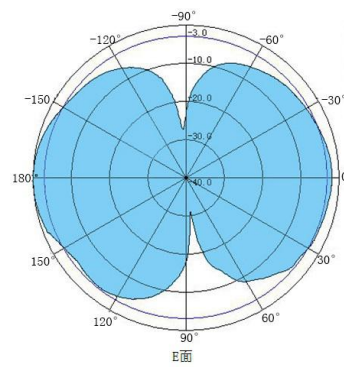
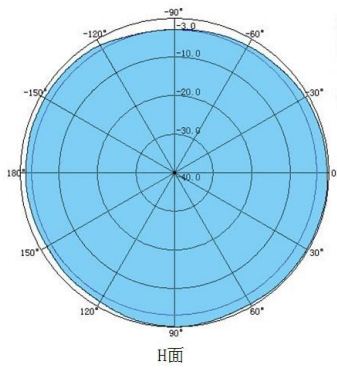
Radome Material	ABS
Radome color	White
Operating Temperature Rang	-40°C/+60°C

VSWR:

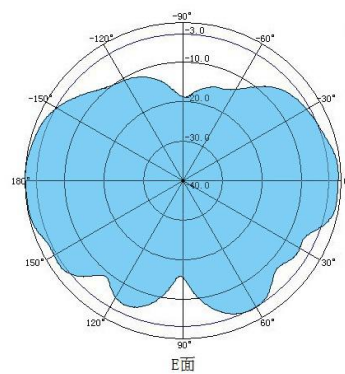
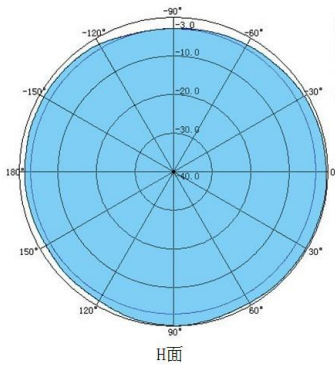


Radiation Pattern:

824-960MHZ



1710-2170MHZ



BBT ANTENNAS INC

Tel:(8620)38867118 Fax:(8620)38860481 <http://www.bbtantennas.com>