



# BBT ANTENNAS INC

Model NO: BBT-0825CL0204V-165

Type : Ceiling Antenna

Application:

★For indoor distributed wireless coverage system ( For indoor DAS )

★Support GSM、CDMA、3G、 Wireless system

Features:

★Wide bandwidth,Low VSWR, stable performance,Omnidirectional

★Small size, attractive appearance

★Regular ceiling installation, use conveniently

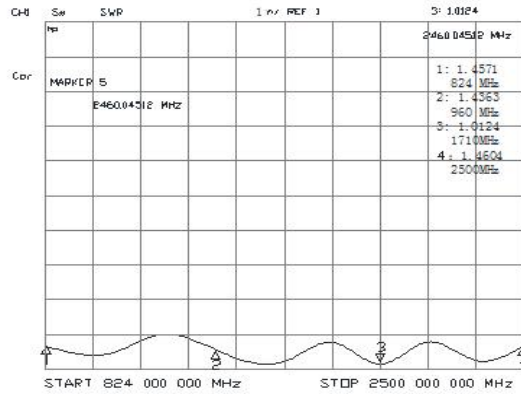


## Specifications:

Electrical		
Model Number	BBT-0825CL0204V-165	
Frequency Range	824-960MHZ	1710-2500MHZ
Polarization Type	Vertical	
Gain	2.15dBi	4dBi
3dB Beam-Width. H-Plan	360°	360°
3dB Beam-Width. E-Plan	80°	60°
VSWR	≤1.5	
Input Impedance	50Ω	
Max Input Power.	50W	
Lightning Protection	DC Grounded	
Mechanical		
Connector Type	N-Type Female	
Cable	RG58U	
Cable length	30cm	
Dimensions H*W*D (mm)	Φ165*90(mm)	
Weight	0.55kg	
Radome Material	ABS	

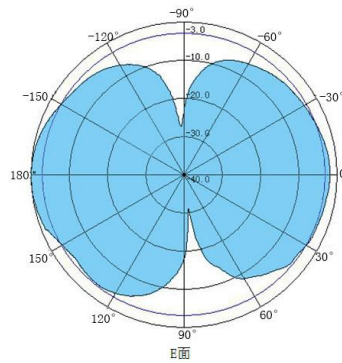
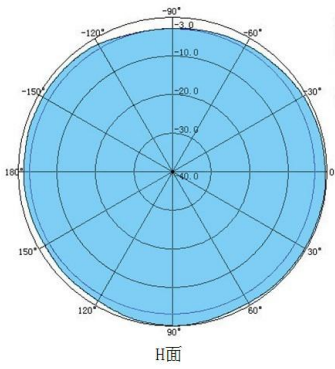
Radome color	White
Operating Temperature Rang	-40°C/+60°C

**VSWR:**

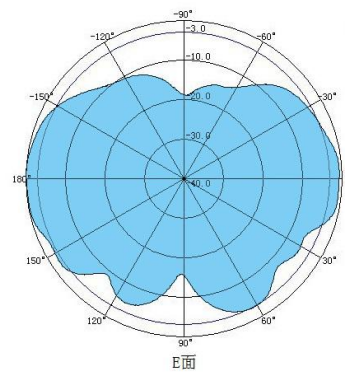
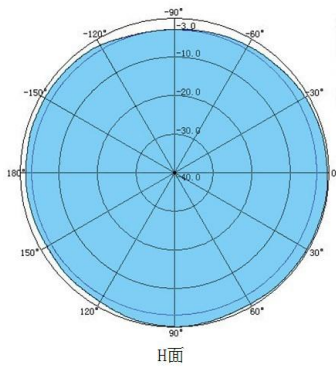


**Radiation Pattern:**

824-960MHZ



1710-2500MHZ



**BBT ANTENNAS INC**

Tel:(8620)38867118    Fax:(8620)38860481    <http://www.bbtantennas.com>