



BBT ANTENNAS INC

Model NO: BBT-0660CL0204V-185

Type: Ceiling Antenna

Application:

★For indoor distributed wireless coverage system (For indoor DAS)

★Support GSM、CDMA、3G、4G-LTE、5G Wireless system

Features:

★Wide bandwidth, Low VSWR, stable performance, Omnidirectional

★Small size, attractive appearance

★Regular ceiling installation, use conveniently

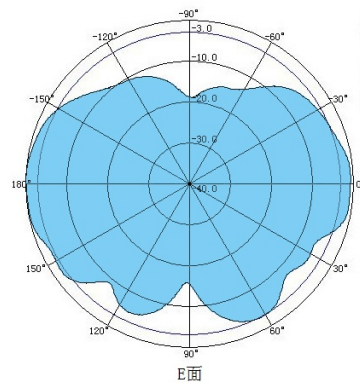
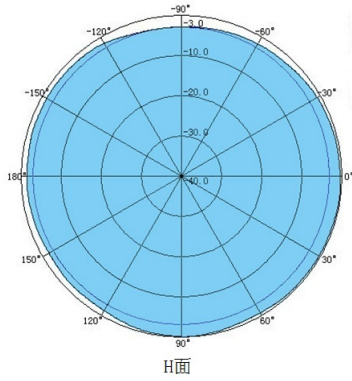


Specifications:

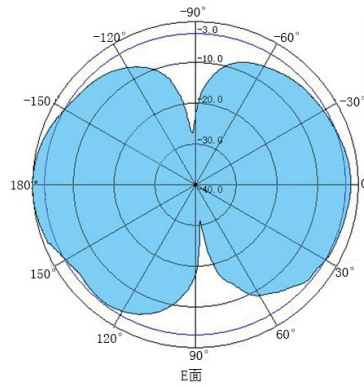
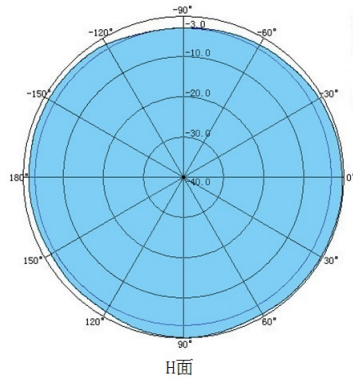
Electrical				
Model Number	BBT-0660CL0204V-185			
Frequency Range	698-960MH Z	1710-27000M HZ	3300-3800MH Z	5150-6000MHZ
Polarization Type	Vertical			
Gain	2dBi	4dBi	4dBi	4dBi
3dB Beam-Width. H-Plan	360°	360°	360°	360°
3dB Beam-Width. E-Plan	80°	60°	60°	60°
VSWR	≤1.7	≤1.7	≤1.7	≤2.0
Intermodulation IM3(2*43dBmcarrier)	≤-150 dBc			
Input Impedance	50Ω			
Max Input Power.	50W			
Lightning Protection	DC Grounded			
Mechanical				
Connector Type	N-Female			
Cable	SFF-50-3			
Cable length	25cm			
Dimensions H*W*D (mm)	Φ185*85(mm)			
Radome Material	ABS			
Radome color	White			
Operating Temperature Rang	-40°C/+60°C			

Radiation Pattern:

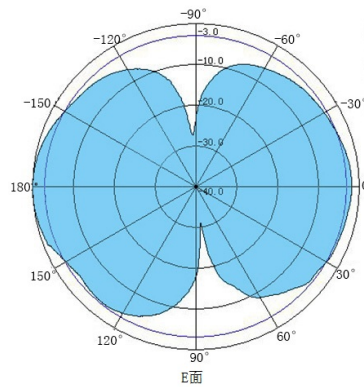
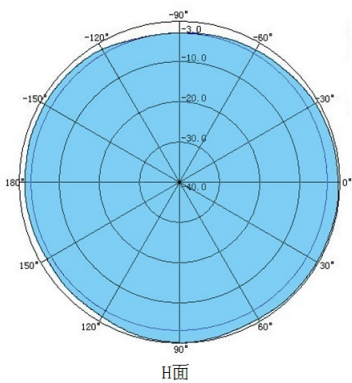
698-960MHZ



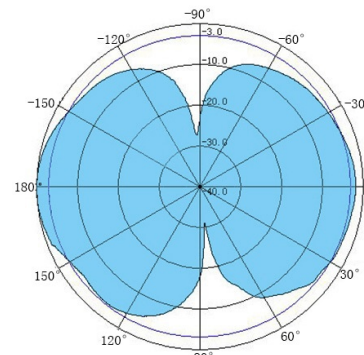
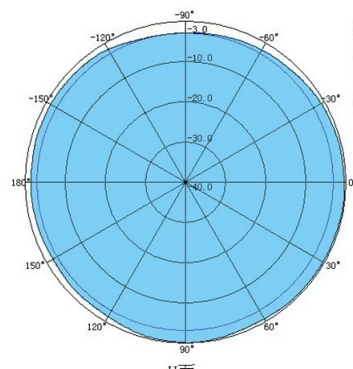
1710-2700MHZ



3300-3800MHZ



5150-6000MHZ



BBT ANTENNAS INC

Tel: (+86) 0757-66898899 <http://www.bbtantennas.com>

Product specification datasheet for reference only, the real product is based on the physical.