



BBT ANTENNAS INC

Model NO: BBT-0627CL0204V-225

Type : Ceiling Antenna

Application:

★For indoor distributed wireless coverage system (For indoor DAS)

★Support LTE、3G、 GSM、 CDMA Wireless system

Features:

★Wide bandwidth,Low VSWR, stable performance,Omnidirectional

★Small size, attractive appearance

★Regular ceiling installation, use conveniently

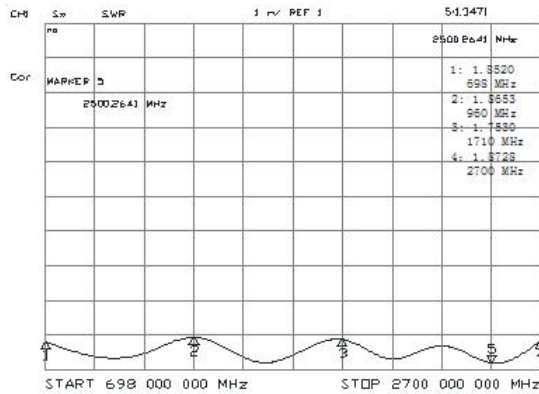


Specifications:

Electrical		
Model Number	BBT-0627CL0204V-225	
Frequency Range	698-960MHZ	1710-2700MHZ
Polarization Type	Vertical	
Gain	2.15dBi	4dBi
3dB Beam-Width. H-Plan	360°	360°
3dB Beam-Width. E-Plan	80°	60°
VSWR	≤2	
Intermodulation IM3(2*43dBmcarrier)	≤-150dBc	
Input Impedance	50Ω	
Max Input Power.	50W	
Lightning Protection	DC Grounded	
Mechanical		
Connector Type	2*N-Type Female	
Cable	SFF-50-3	
Cable length	30cm	

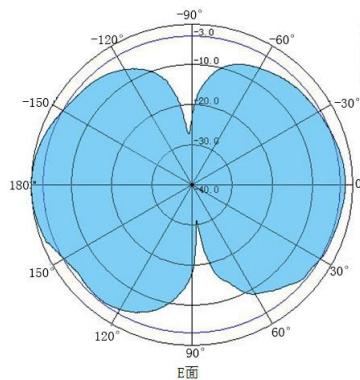
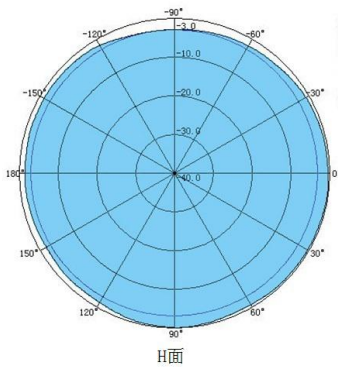
Dimensions H*W*D (mm)	φ225*35(mm)
Radome Material	ABS
Radome color	White
Operating Temperature Rang	-40°C/+60°C

VSWR:

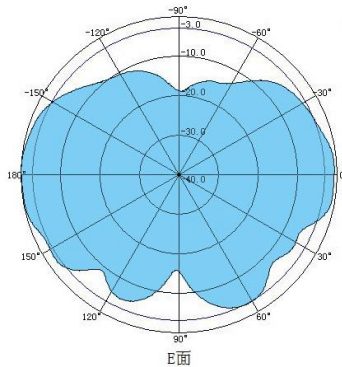
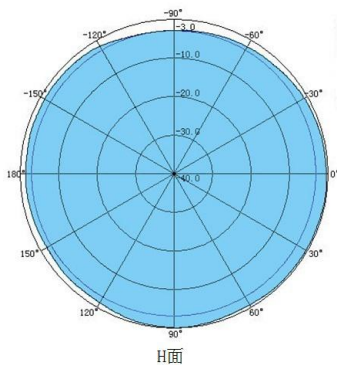


Radiation Pattern:

698-960MHZ



1710-2700MHZ



Tel:(8620)38867118 Fax:(8620)38860481 <http://www.bbtantennas.com>