



BBT ANTENNAS INC

Model NO: BBT-0627CL0204V-127

Type : Ceiling Antenna

Application:

- ★For indoor distributed wireless coverage system (For indoor DAS)
- ★Support GSM、CDMA、4G-LTE Wireless system

Features:

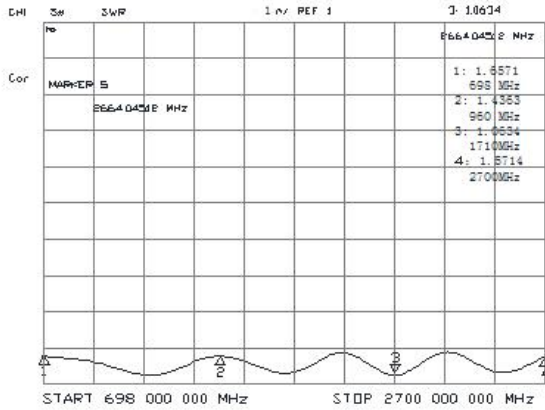
- ★Wide bandwidth,Low VSWR, stable performance,Omnidirectional
- ★Small size, attractive appearance
- ★Regular ceiling installation, use conveniently



Specifications:

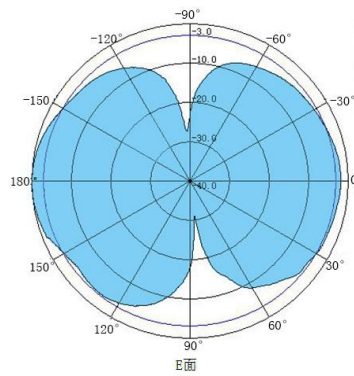
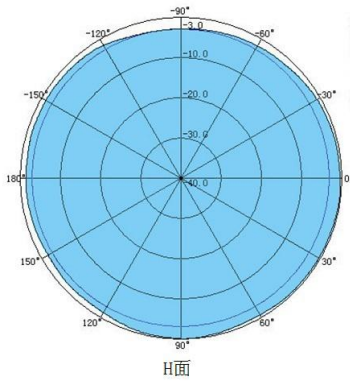
Electrical		
Model Number	BBT-0627CL0204V-127	
Frequency Range	698-960MHZ	1710-2700MHZ
Polarization Type	Vertical	
Gain	2.15dBi	4dBi
3dB Beam-Width. H-Plan	360°	360°
3dB Beam-Width. E-Plan	80°	60°
VSWR	≤1.7	
Input Impedance	50Ω	
Max Input Power.	50W	
Lightning Protection	DC Grounded	
Mechanical		
Connector Type	N-Type Female	
Cable	SYV-50-5	
Cable length	30cm	
Dimensions H*W*D (mm)	Φ127*144(mm)	
Radome Material	ABS	
Radome color	White	
Operating Temperature Rang	-40°C/+60°C	

VSWR:

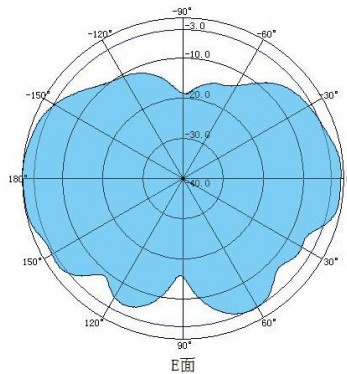
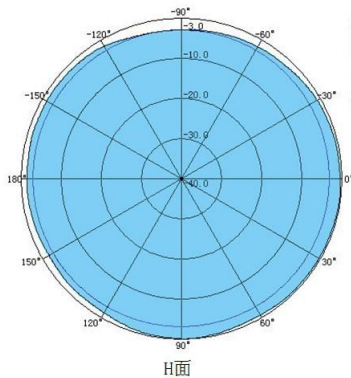


Radiation Pattern:

698-960MHZ



1710-2700MHZ



BBT ANTENNAS INC