



BBT ANTENNAS INC

Model NO: BBT-0825CL0204V-168

Type : Ceiling Antenna

Application:

- ★For indoor distributed wireless coverage system (For indoor DAS)
- ★Support GSM、CDMA、3G、WLAN、WIFI Wireless system

Features:

- ★Wide bandwidth,Low VSWR, stable performance,Omnidirectional
- ★Small size, attractive appearance
- ★Regular ceiling installation, use conveniently

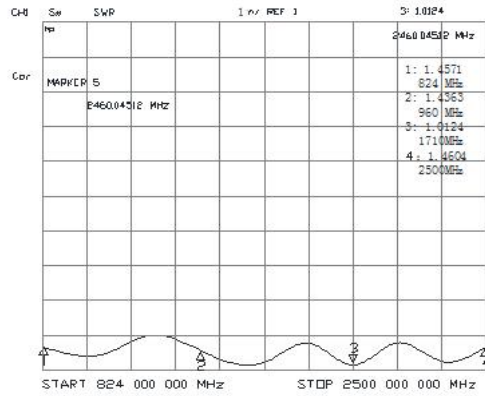


Specifications:

Electrical		
Model Number	BBT-0825CL0204V-168	
Frequency Range	824-960MHZ	1710-2500MHZ
Polarization Type	Vertical	
Gain	2.15dBi	4dBi
3dB Beam-Width. H-Plan	360°	360°
3dB Beam-Width. E-Plan	80°	60°
VSWR	≤1.5	
Input Impedance	50Ω	
Max Input Power.	50W	
Lightning Protection	DC Grounded	
Mechanical		
Connector Type	N-Type Female	
Cable	RG58U	
Cable length	30cm	
Dimensions H*W*D (mm)	Φ168*100(mm)	
Weight	0.31kg	

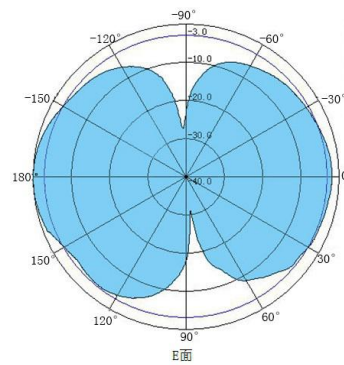
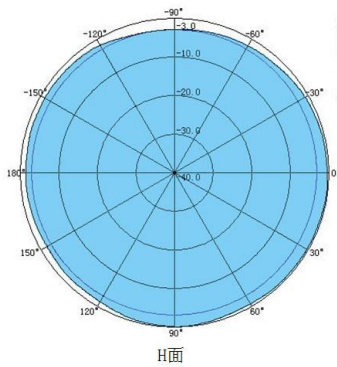
Radome Material	ABS
Radome color	White
Operating Temperature Rang	-40°C/+60°C

VSWR:

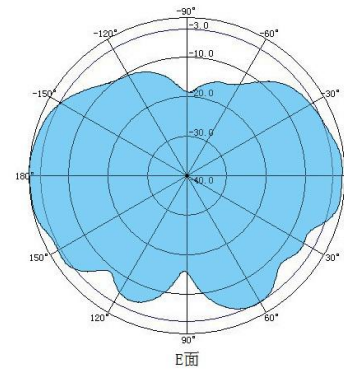
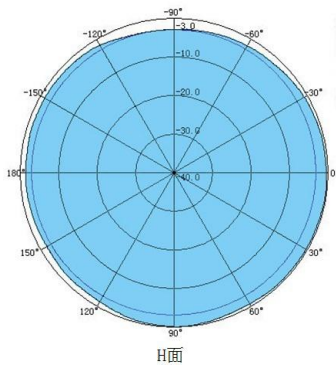


Radiation Pattern:

824-960MHZ



1710-2500MHZ



BBT ANTENNAS INC

Tel:(8620)38867118 Fax:(8620)38860481 <http://www.bbtantennas.com>