



**High Quality/ Intelligent/ Modular  
lithium battery ESS  
51.2V 100-900Ah  
(4000 Cycles)**



**Features:**

- ✓ Top brand CATL/EVE cell, grade A+ quality
- ⊕ 4,000 cycles life, 5 years warranty, 10 years design life
- 🔋 Optional cell brand and IP rate (IP20/IP65)
- 📦 Modular & Stacked design for easy installation and extension
- 📄 High density, small size and light weight
- 🔌 Large charging and discharging current, suitable for solar energy storage
- 📍 With LCD screen and CAN/RS485/RS232 communication interface
- 🏠 Integrated inverter with pure sine wave, easy installation, dual charging modes of solar and power available

**High Quality/ Intelligent/ Modular  
lithium battery ESS**

51.2V 100-900Ah  
(4000 Cycles)

>>>



■ DIY on capacity of inverter and battery module

🌐 Product Details:







### Can load various high-power electrical appliances

Home lighting / TV / Computer / Washing machine / water heater / air conditioner / refrigerator / water pump etc



# Stacked Modular Smart

## Lithium Battery Energy Storage System

Main features

Inverter Parameters			
Model	NKH-5KW/10KW(optional)	Maximum charging current	160A
Rated Power	5KW/10KW (optional)	<b>PV charge</b>	
<b>Mains Input</b>		Maximum PV array power	1 loop 5500W
Rated Input voltage (Settable)	208VAC/220VAC /230VAC/240VAC		2 loop 5500W
Input Voltage range	170-280VAC	MPPT working voltage range	120-430VDC
	90-280VAC	Open circuit voltage of Maximum PV array	450VDC
Input Frequency	50 Hz/60Hz(detect automatically)	Maximum charging current	160A
		Maximum efficiency	98%
<b>Output</b>		<b>Charging by Mains and PV</b>	
Rated output voltage (Settable)	208VAC/220VAC /230VAC/240VAC ±5%	Maximum charging current (AC charger/ PV charger)	160A
Surge power	20000VA	<b>General specs</b>	
Efficiency	94%	Communication interface	USB/RS232/GPRS/WIFI
Switching time	10 ms	<b>Working condition</b>	
Overload power	1min@102%-110% Load, 10s@110%-130% Load, 3s@130%-150% Load, 0.2s@>150% Load	Humidity	5% to 95%RH (non-condensing)
		Working temperature	0°C- 55°C
		Storage temperature	-15°C-60°C
<b>Battery &amp; AC charging</b>		<b>Dimension</b>	
Battery rated voltage	51.2VDC	5KW Dimension	770*410*222.5mm(L x W x H)
Floating charging voltage	54VDC	10KW Dimension	930*410*222.5mm(L x W x H)
Over-charge protection Voltage	64VDC		



# High Quality/ Intelligent/ Modular lithium battery ESS

51.2V 100-900Ah  
(4000 Cycles)



# Stacked Modular Smart

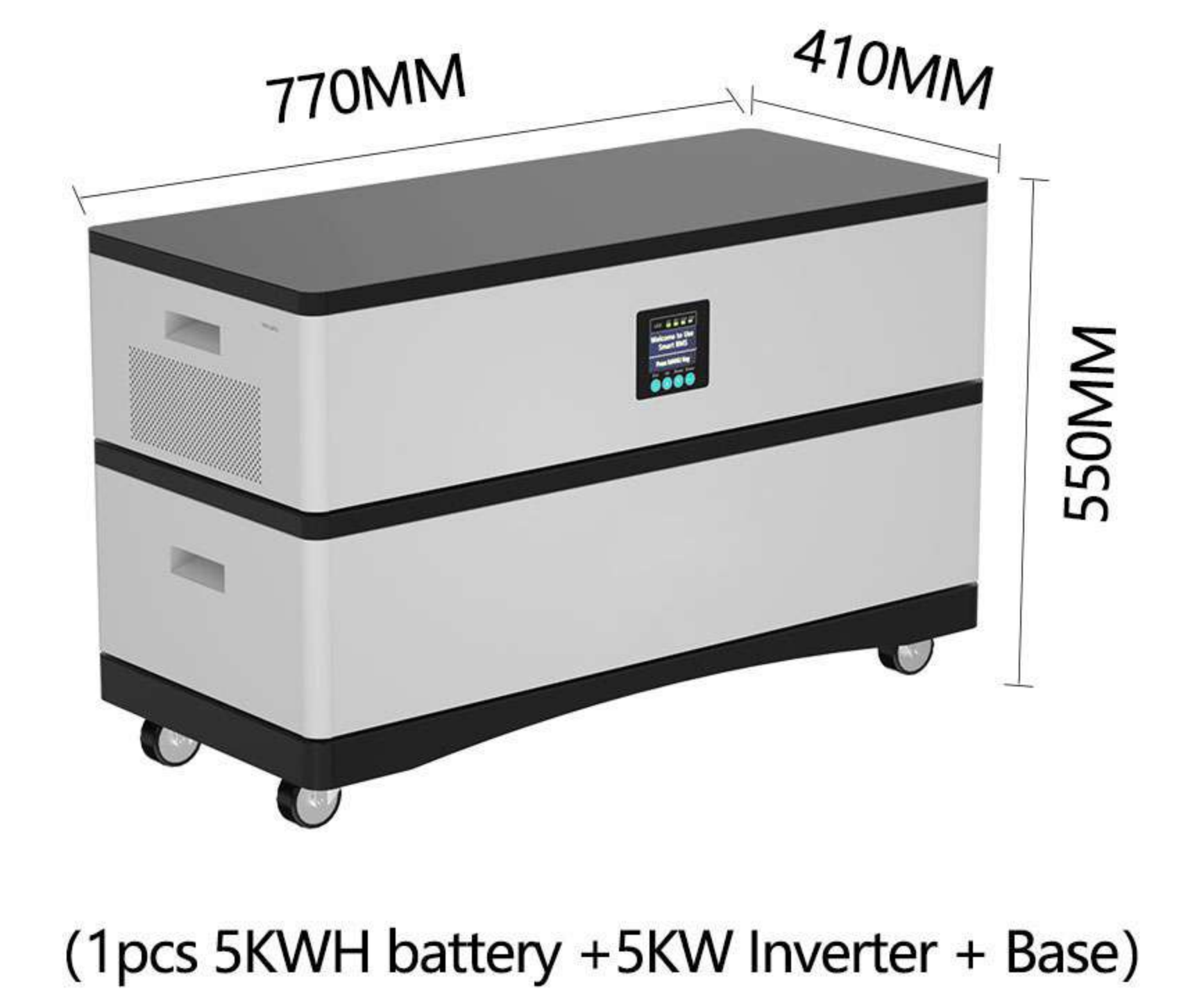
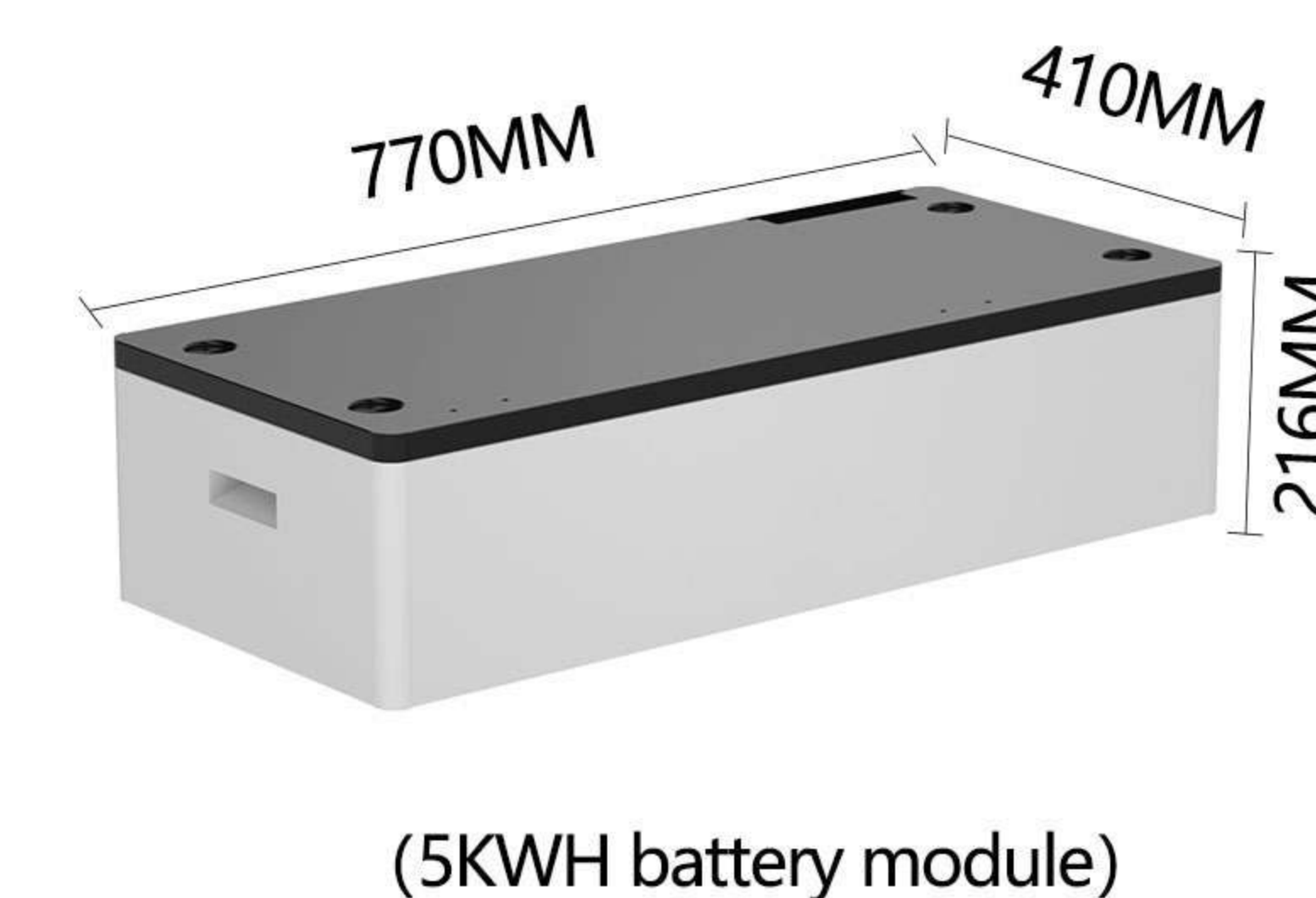
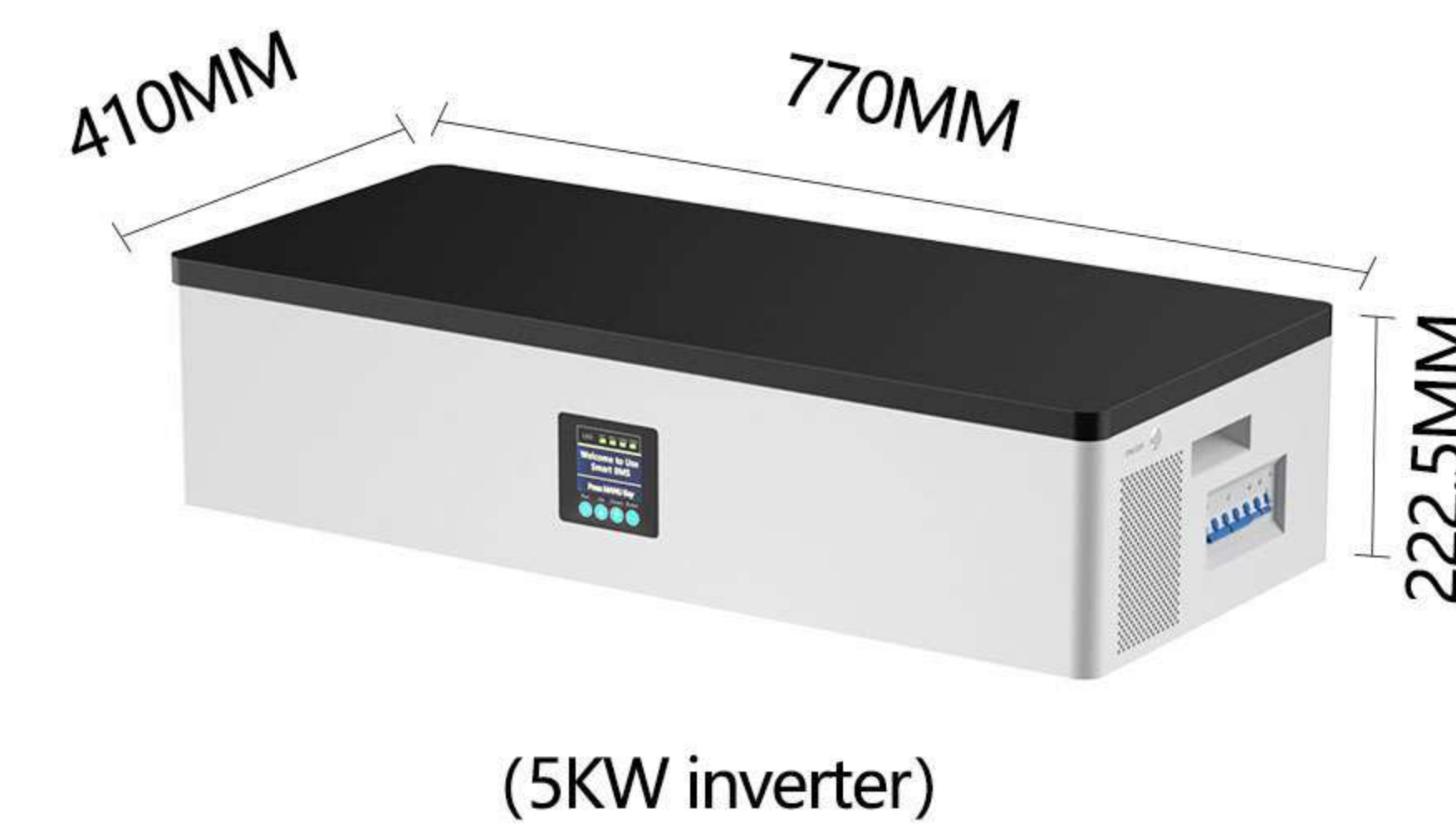
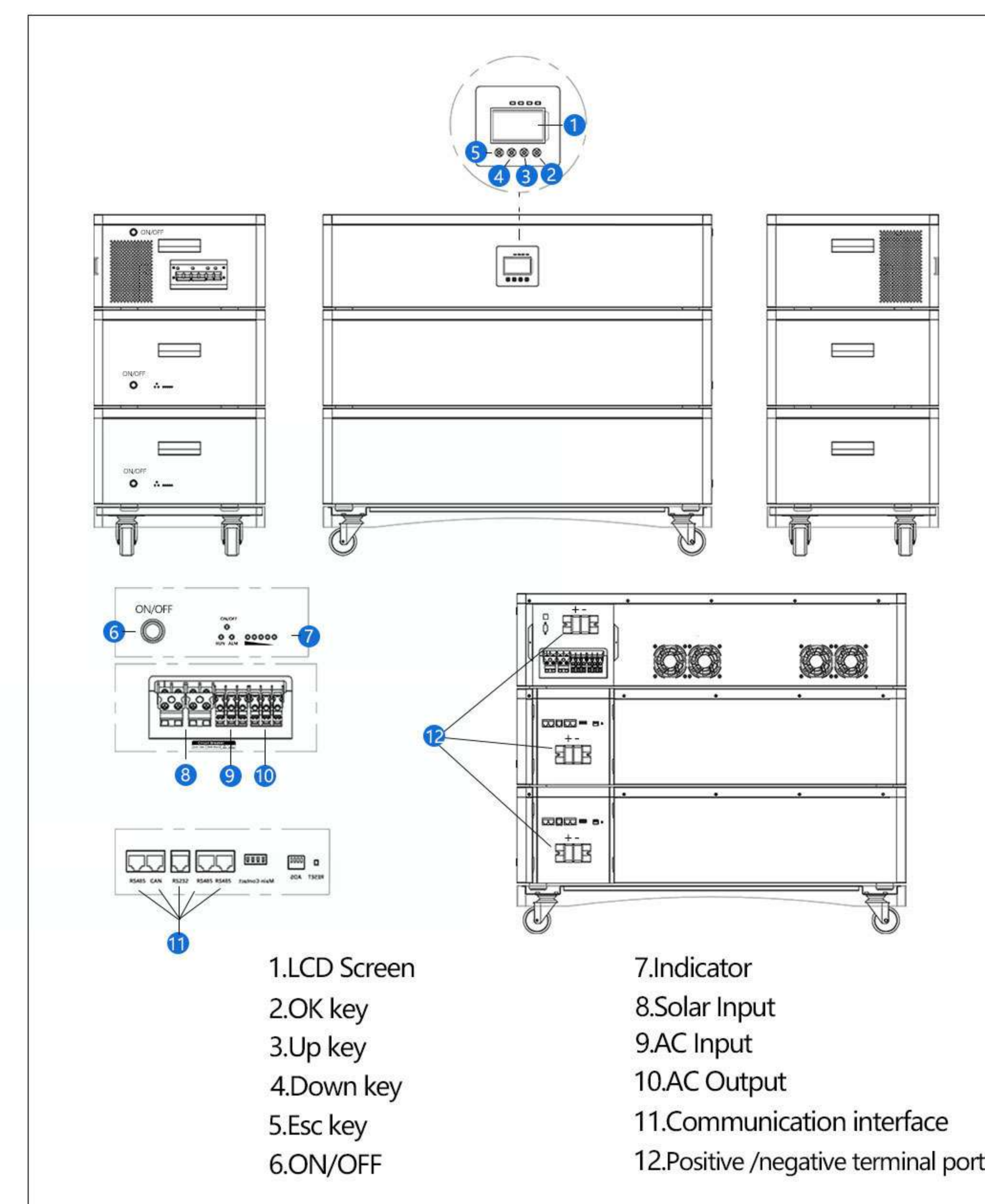
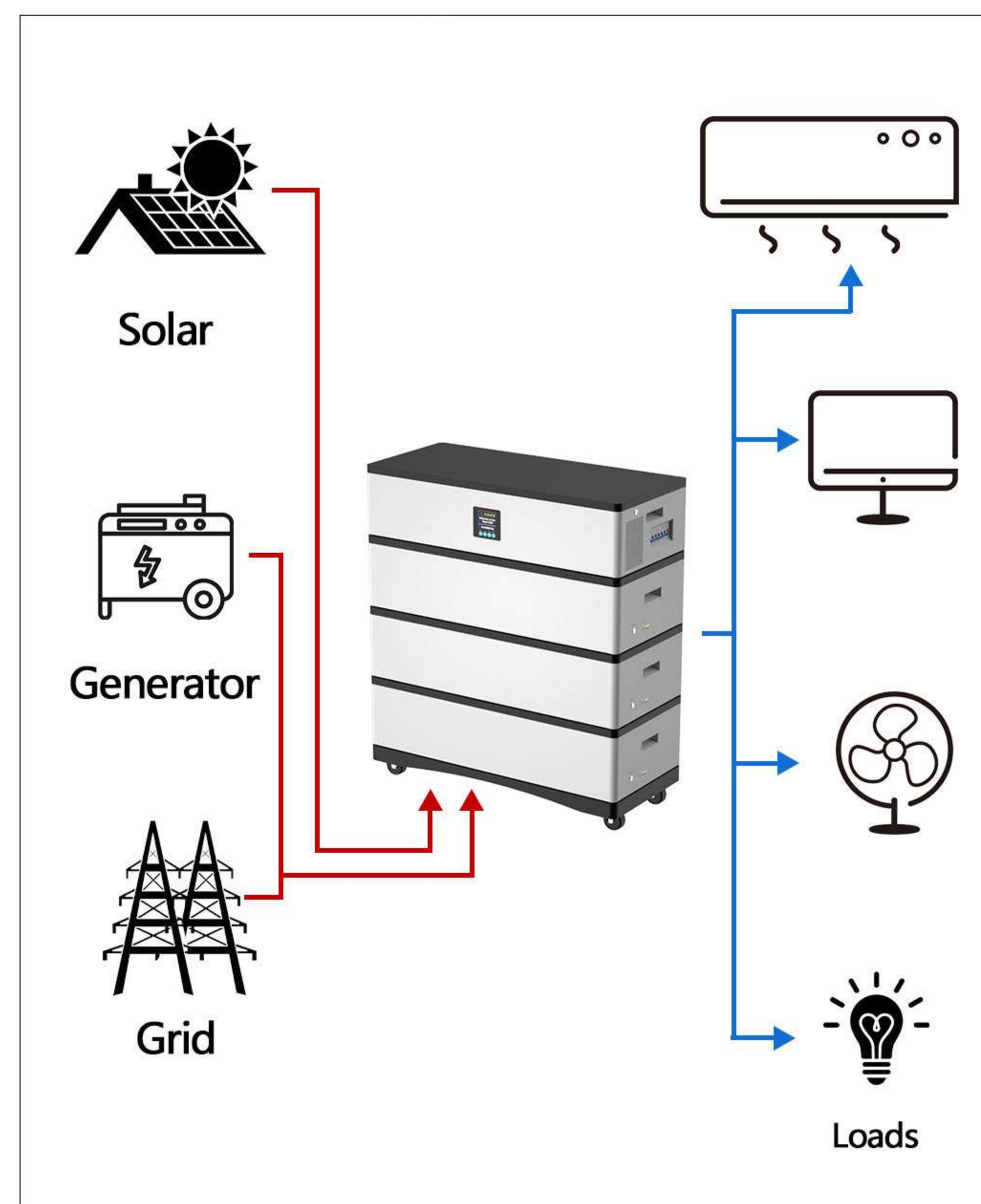
## Lithium Battery Energy Storage System

Multiple options of stacked lithium battery ESS

Option 1		Cycle life	> 4000 cycles
Power of Inverter	5KW	DOD	> 98%
Rated Electricity	5KWH	LxWxH (Module)	770*410*216mm
Battery Model	BD01-51.2V100Ah	LxWxH (with inverter)	770*410*550mm
Battery Quantity	1	Weight	105KG
Layer	2 (1 battery module+ 1 inverter)	IP grade	IP64
Cell type	LiFePO4	Safety Standards	UN38.8/MSDS/CE
Voltage Range	44.8-58.4V	Communication	Compatible with inverters of DEYE,MEGAREVO, Growatt, MUST,GOODWE, Voltronic, Pylontech,etc
Recommended charging voltage	57.6-58.4V	Storage Temperature	0-30°C
Recommended charging current	80A	Operation Temperature	0-55°C
Recommended discharging current	150A		

### Application

### Product Structure





# Stacked Modular Smart

## Lithium Battery Energy Storage System

2

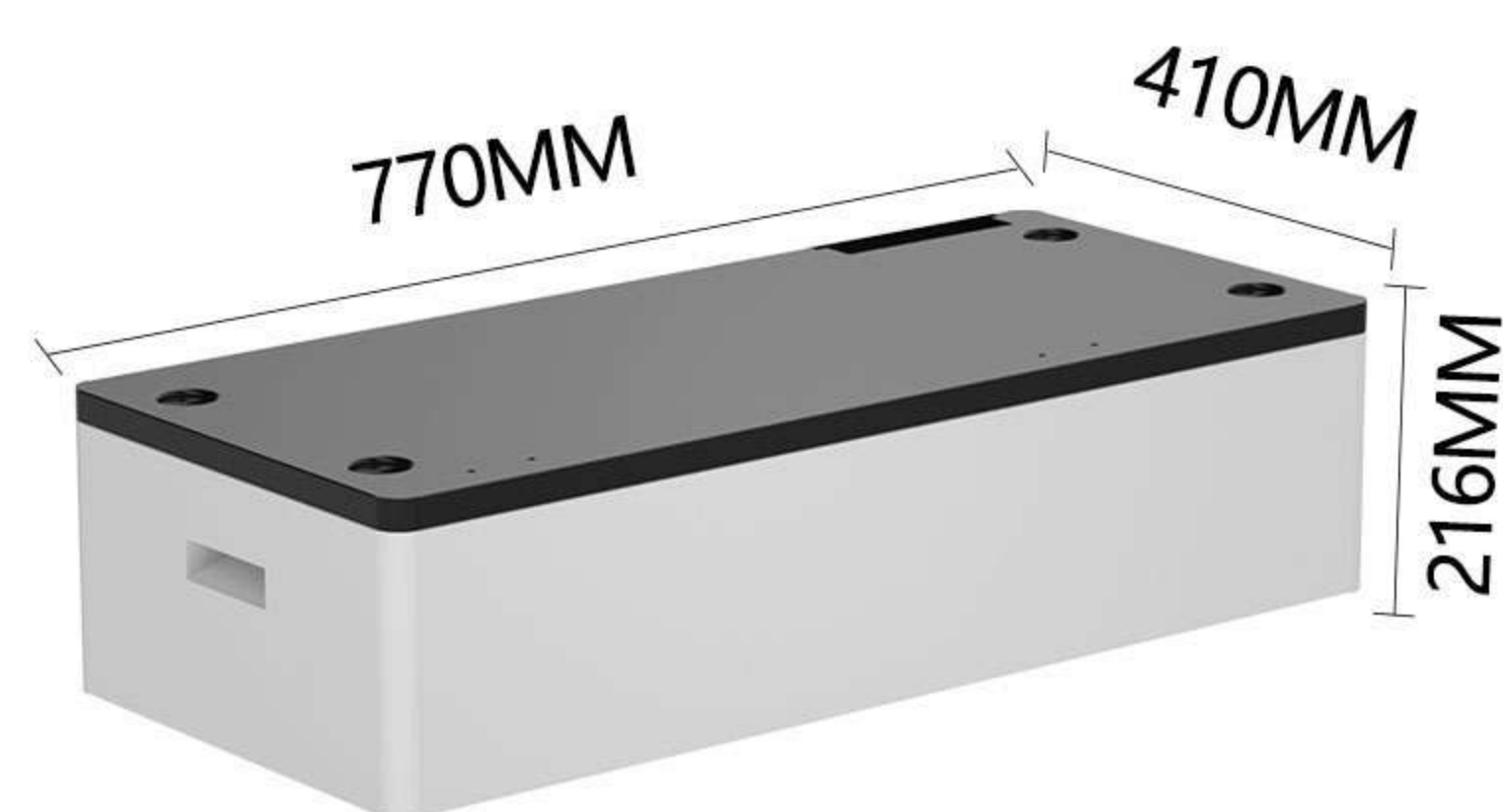
Main Features

Multiple options of stacked lithium battery ESS

Option 2		Cycle life	> 4000 cycles
Power of Inverter	5KW	DOD	> 98%
Rated Electricity	15KWH	LxWxH (Module)	770*410*615mm
Battery Model	BD01-51.2V100Ah	LxWxH (with inverter)	770*410*960mm
Battery Quantity	3	Weight	235KG
Layer	4 (3battery module+ 1 inverter)	IP grade	IP64
Cell type	LiFePO4	Safety Standards	UN38.8/MSDS/CE
Voltage Range	44.8-58.4V	Communication	Compatible with inverters of DEYE,MEGAREVO, Growatt, MUST,GOODWE, Voltronic, Pylontech,etc
Recommended charging voltage	57.6-58.4V	Storage Temperature	0-30°C
Recommended charging curren	150A	Operation Temperature	0-55°C
Recommended discharging current	150A		



(5KW inverter)



(5KWH battery module)



(3 pcs 5KWH battery +5KW Inverter + Base)

# Stacked Modular Smart

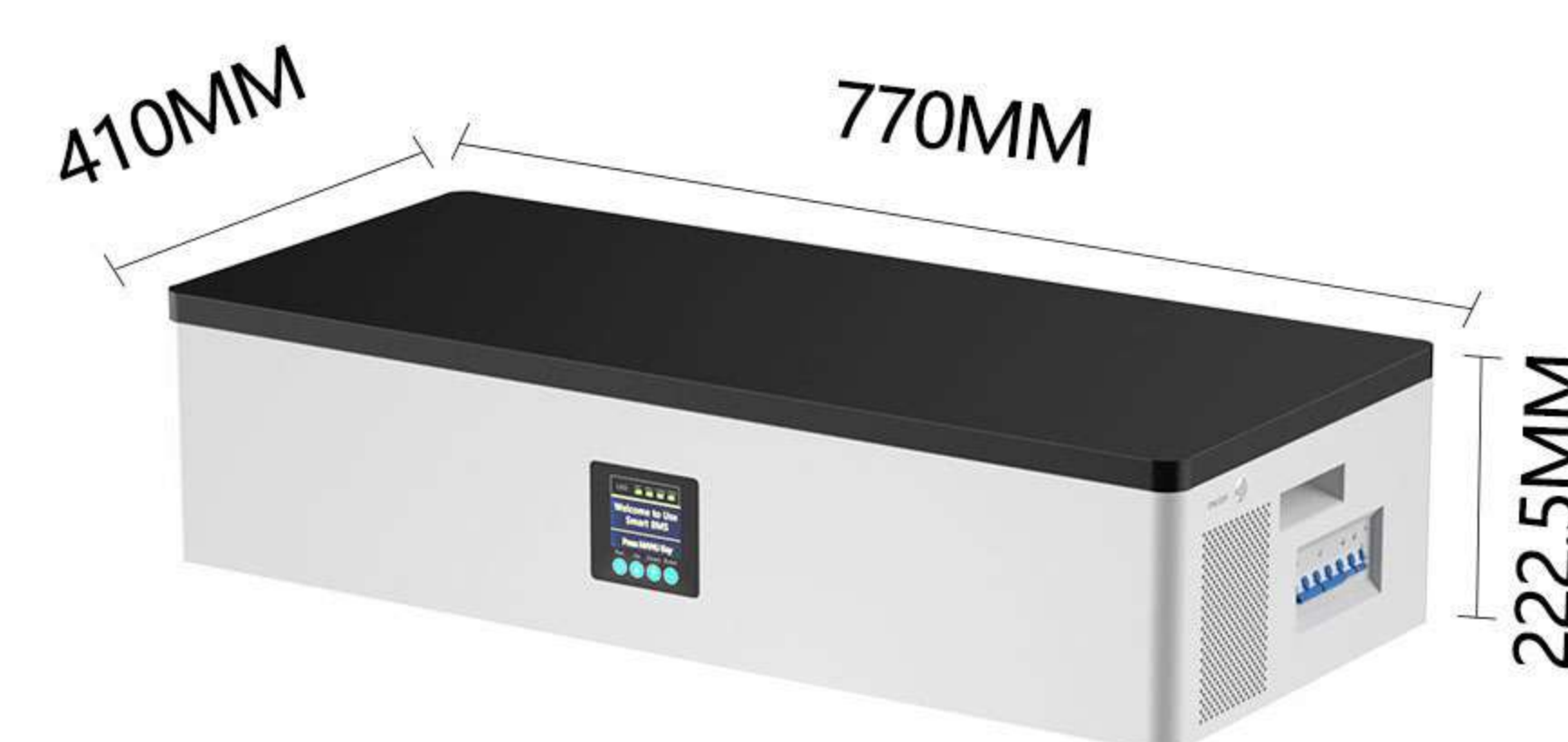
## Lithium Battery Energy Storage System

3

Main features

Multiple options of stacked lithium battery ESS

Option 3		Cycle life	> 4000 cycles
Power of Inverter	5KW	DOD	> 98%
Rated Electricity	10KWH	LxWxH (Module)	770*410*246mm
Battery Model	BD01-51.2V200Ah	LxWxH (with inverter)	770*410*580mm
Battery Quantity	1	Weight	130KG
Layer	2 (1 battery module+ 1 inverter)	IP grade	IP64
Cell type	LiFePO4	Safety Standards	UN38.8/MSDS/CE
Voltage Range	44.8-58.4V	Communication	Compatible with inverters of DEYE,MEGAREVO, Growatt, MUST,GOODWE, Voltronic, Pylontech,etc
Recommended charging voltage	57.6-58.4V	Storage Temperature	0-30°C
Recommended charging curren	100A	Operation Temperature	0-55°C
Recommended discharging current	150A		



(5KW inverter)



(10KWH battery module)



(1 pcs 10KWH battery +5KW Inverter + Base)



# Stacked Modular Smart

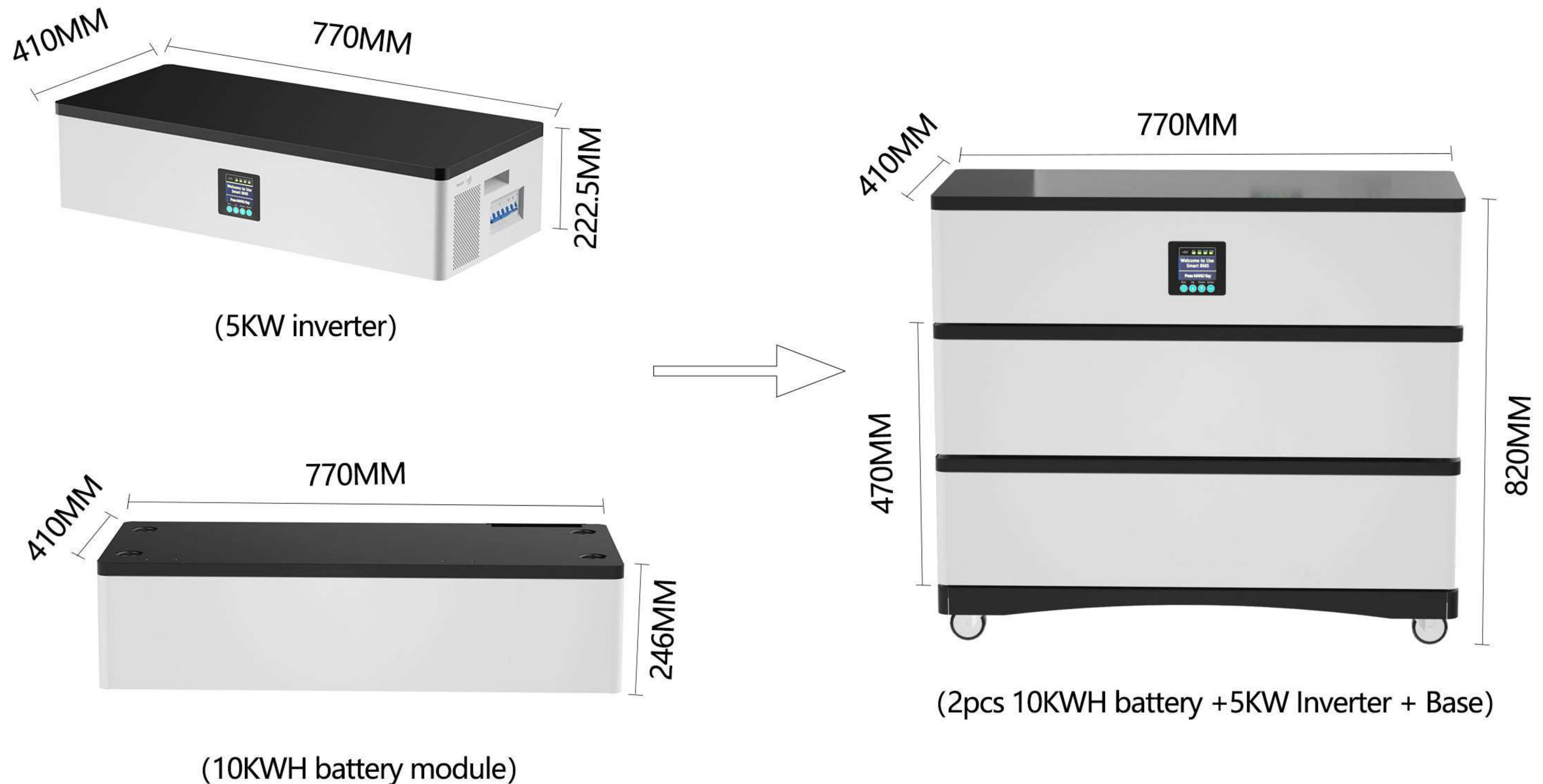
Lithium Battery Energy Storage System

4

Main Features

Multiple options of stacked lithium battery ESS

Option 4		Cycle life	> 4000 cycles
Power of Inverter	5KW	DOD	> 98%
Rated Electricity	20KWH	LxWxH (Module)	770*410*470mm
Battery Model	BD01-51.2V200Ah	LxWxH (with inverter)	770*410*820mm
Battery Quantity	2	Weight	220KG
Layer	3 (2 battery module+ 1 inverter)	IP grade	IP64
Cell type	LiFePO4	Safety Standards	UN38.8/MSDS/CE
Voltage Range	44.8-58.4V	Communication	Compatible with inverters of DEYE,MEGAREVO, Growatt, MUST,GOODWE, Voltronic, Pylontech,etc
Recommended charging voltage	57.6-58.4V	Storage Temperature	0-30°C
Recommended charging current	150A	Operation Temperature	0-55°C
Recommended discharging current	200A		



# Stacked Modular Smart

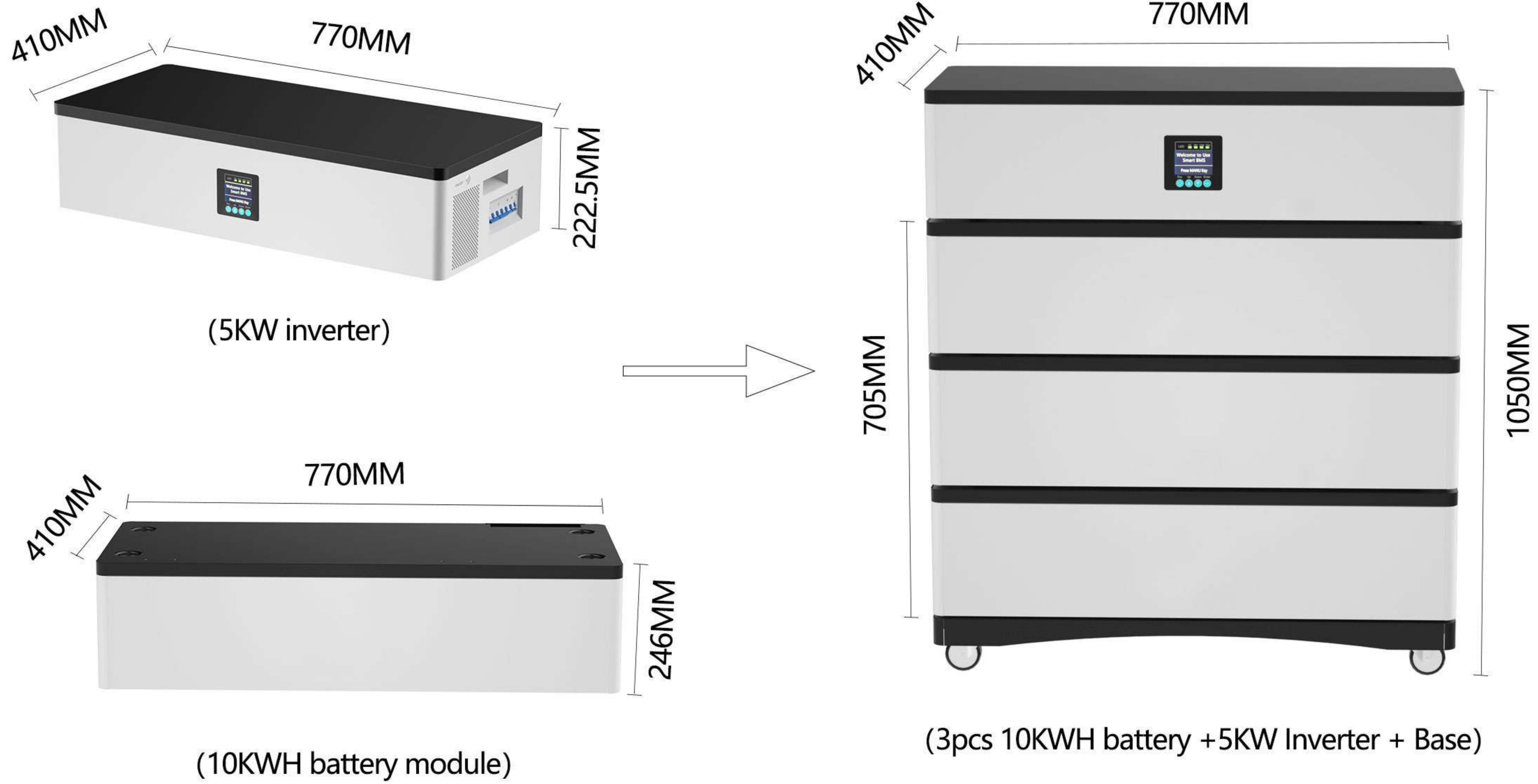
Lithium Battery Energy Storage System

5

Main Features

Multiple options of stacked lithium battery ESS

Option 5		Cycle life	> 4000 cycles
Power of Inverter	5KW	DOD	> 98%
Rated Electricity	30KWH	LxWxH (Module)	770*410*705mm
Battery Model	BD01-51.2V200Ah	LxWxH (with inverter)	770*410*1050mm
Battery Quantity	3	Weight	310KG
Layer	4 (3 battery module+ 1 inverter)	IP grade	IP64
Cell type	LiFePO4	Safety Standards	UN38.8/MSDS/CE
Voltage Range	44.8-58.4V	Communication	Compatible with inverters of DEYE,MEGAREVO, Growatt, MUST,GOODWE, Voltronic, Pylontech,etc
Recommended charging voltage	57.6-58.4V	Storage Temperature	0-30°C
Recommended charging current	200A	Operation Temperature	0-55°C
Recommended discharging current	200A		





# Stacked Modular Smart

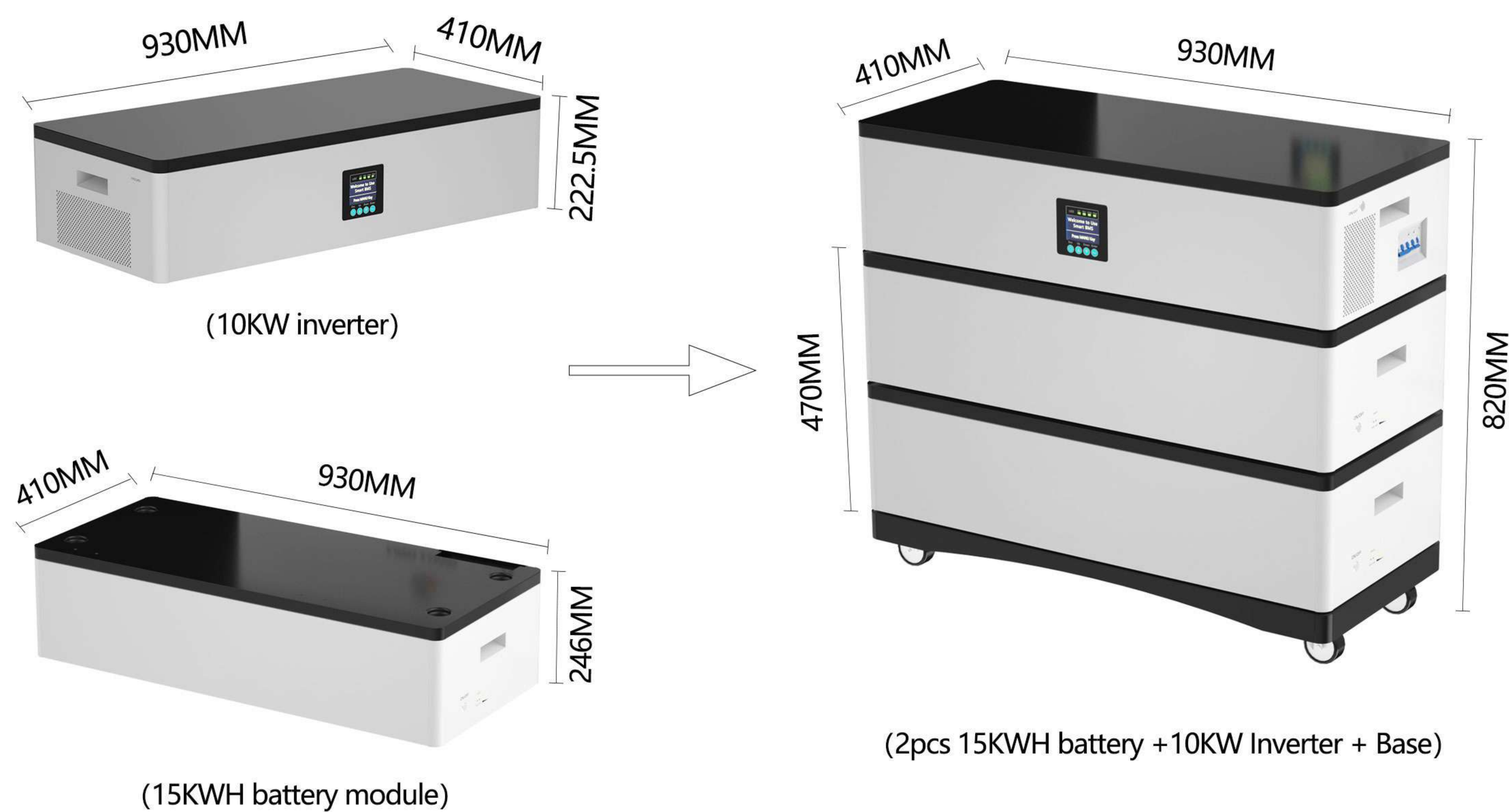
## Lithium Battery Energy Storage System

6

Main Features

Multiple options of stacked lithium battery ESS

Option 6		Cycle life	> 4000 cycles
Power of Inverter	10KW	DOD	> 98%
Rated Electricity	30KWH	LxWxH (Module)	930*410*470mm
Battery Model	BD01-51.2V300Ah	LxWxH (with inverter)	930*410*820mm
Battery Quantity	2	Weight	290KG
Layer	3 (2 battery module+ 1 inverter)	IP grade	IP64
Cell type	LiFePO4	Safety Standards	UN38.8/MSDS/CE
Voltage Range	44.8-58.4V	Communication	Compatible with inverters of DEYE,MEGAREVO, Growatt, MUST,GOODWE, Voltronic, Pylontech,etc
Recommended charging voltage	57.6-58.4V	Storage Temperature	0-30°C
Recommended charging current	150A	Operation Temperature	0-55°C
Recommended discharging current	250A		



# Stacked Modular Smart

## Lithium Battery Energy Storage System

7

Main Features

Multiple options of stacked lithium battery ESS

Option 7		Cycle life	> 4000 cycles
Power of Inverter	10KW	DOD	> 98%
Rated Electricity	45KWH	LxWxH (Module)	930*410*705mm
Battery Model	BD01-51.2V300Ah	LxWxH (with inverter)	930*410*1050mm
Battery Quantity	3	Weight	415KG
Layer	4 (3 battery module+ 1 inverter)	IP grade	IP64
Cell type	LiFePO4	Safety Standards	UN38.8/MSDS/CE
Voltage Range	44.8-58.4V	Communication	Compatible with inverters of DEYE,MEGAREVO, Growatt, MUST,GOODWE, Voltronic, Pylontech,etc
Recommended charging voltage	57.6-58.4V	Storage Temperature	0-30°C
Recommended charging current	200A	Operation Temperature	0-55°C
Recommended discharging current	300A		

