

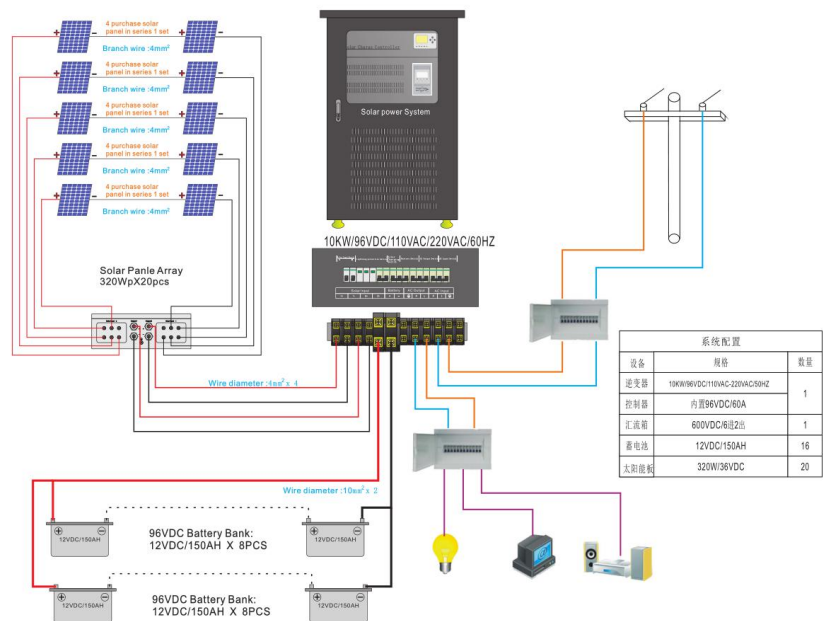
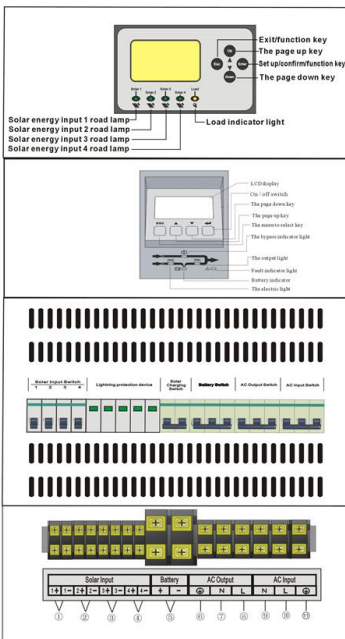


# (IGBT) HYBRID SOLAR INVERTER

## NKD-8KW/10KW/15KW/20KW

### Product Features

- Built in mppt solar charge controller;
- Pure sine wave AC output strong ability to take the load;
- LCD+LED display mode, clearly to know the operation status;
- Output over-load protection kinds of automatically protection and warning;
- Solar array and battery use the same positive system;
- Intelligent charge control programmable charger data setting can use in difference operate occasion;
- Battery protect data setting have password protect function;
- Calculate photovoltaic power generation function calculate battery power function;
- Complete protect: reverse battery protection, battery overcharge protection, internal chassis cooling control(more than 45°C the fan will turn on),battery anti-reverse charge at night time function and alarm function;
- Display: current battery voltage, battery charge current, internal chassis temperature, calculate photovoltaic power generation function, battery power function, calculate power consumption function, solar panel current for each strings etc.



"Inverter" orange light: Light said inverter output to normal;  
 "Failure" the red light: Light said inverter close inverter output or fault;  
 "Flip": Touch a conversion related interface to show the working condition of inverter;

- |   |                           |   |
|---|---------------------------|---|
| ① 1 way solar positive/negative input;<br>Mains input zero; | ⑥ Output ground terminal; | ⑪ |
| ② 2 way solar positive/negative input;                      | ⑦ Output zero;            |   |
| ③ 3 way solar positive/negative input;                      | ⑧ Output R phase;         |   |
| ④ 4 way solar positive/negative input;                      | ⑨ Output S phase;         |   |
| ⑤ Battery input the positive/negative terminals;            | ⑩ Output T phase;         |   |

## TECHNICAL DATA

Model		NKD-8KW	NKD-10KW	NKD-15KW	NKD-20KW
Rated Power		8KW	10KW	15KW	20KW
Battery	Rated Voltage	96VDC/192VDC/220VDC/384VDC			
	Voltage of over discharge protection	86VDC/172VDC /194VDC/345VDC			
MPPT Controller	Rated Current	100A			
	Rated voltage	96VDC/192VDC/220VDC/384VDC			
	Number of inputs	1			
	Max. current of each input	100A;(384VDC 80A)			
	Solar input voltage	(96V PVmax:430VDC);(192V PVmax:660VDC)(240V PVmax:660VDC);(384V PVmax:850VDC)			
	Voltage of overcharge protection	115VDC/222VDC/255VDC/445VDC (programmable)			
	Control accuracy	±0.1			
	Display accuracy	±0.1			
	Efficiency	>97%			
Inverter	Input voltage	110VAC±20%/220VAC±20%			
	Input frequency	50Hz/60Hz±5%			
	Output voltage	110VAC±2%/220VAC±2%			
	Output frequency	50/60Hz±0.01%			
	Output waveform	Pure sine wave, THD<4% (full load)			
	Switching time from battery to mains	<30ms			
	Overload	120% 20s; > 150%, 10ms			
	Efficiency	≥90% (load power 100%)			
	Dynamic Load Voltage Transients	<±5% (0-100%)			
	Protection function	Output short circuit protection, over-voltage protection, under-voltage protection, low battery protection, etc.			
	Automatic power on/off	Light-operated power-on+fixed-time power-off (programmable)			
Other	Ambient temperature for operation	-10~40℃			
	Relative humidity for operation/storage	20-90% (no condensation, maximum)			
Dimension(mm)		536*560*1015		635*566*1295	
Weight(kg)		180	200	240	257