

PRODUCT CATALOG

2022

全系列产品索引图册



广东雅洁五金有限公司

GUANGDONG ARCHIE HARDWARE CO., LTD.

智能门锁 / 机械门锁 / 门用五金 / 家具五金 / 卫浴五金

广东省佛山市南海区狮山镇长虹岭工业园长岗北路

www.archie.com.cn | 4008-831-831



微信公众号



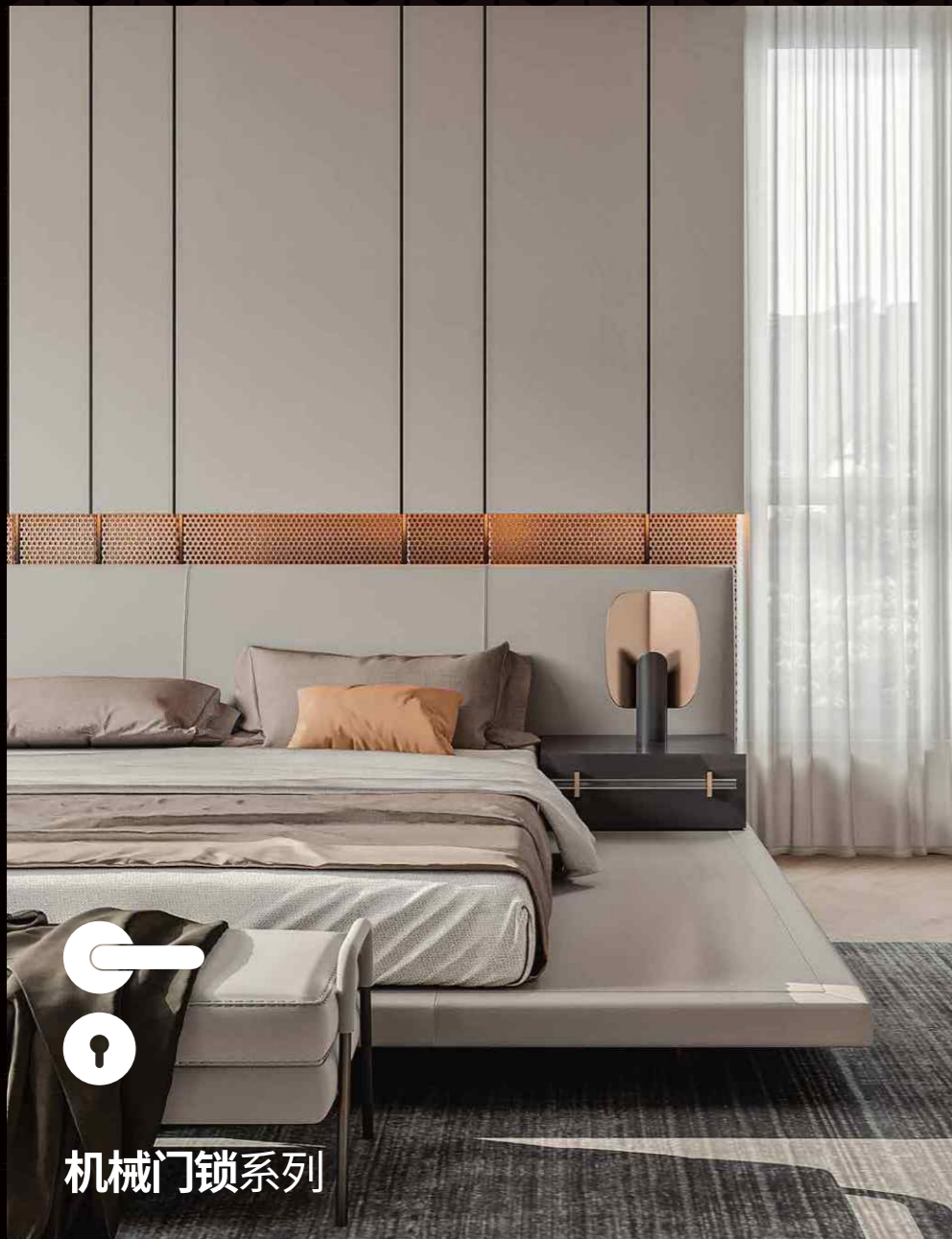
售后服务

2022全系列产品索引图册

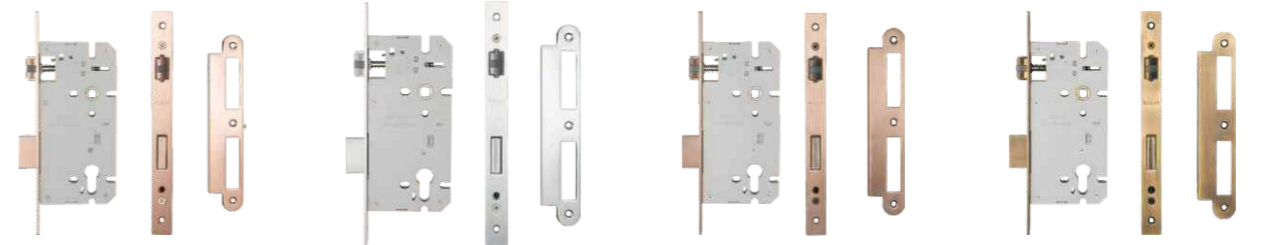
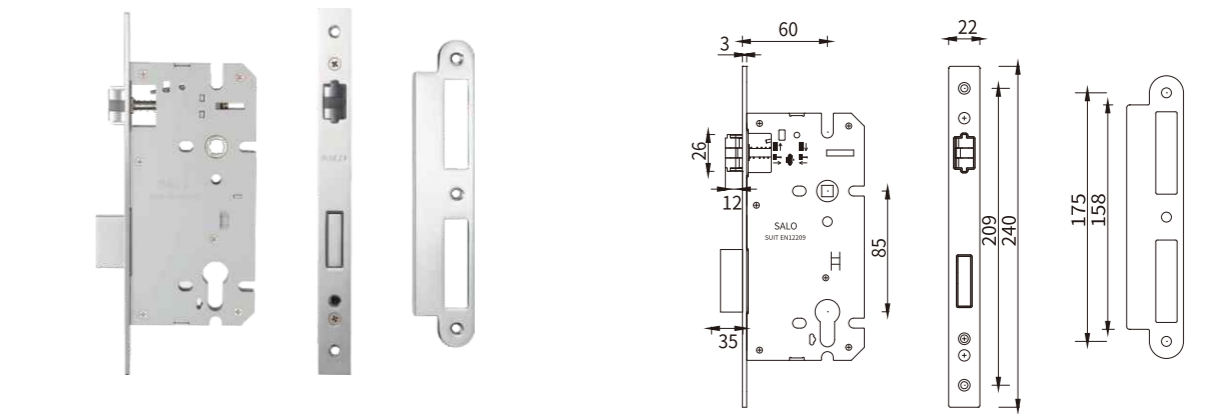
 ARCHIE® 雅洁

S2021D-1插芯门锁 (铜) | COPPER LOCK SERIES

SALO
MECHANICAL LOCK
SERIES



机械门锁系列



S2021D-1-BC

S2021D-1-31

S2021D-1-CO

S2021D-1-F36

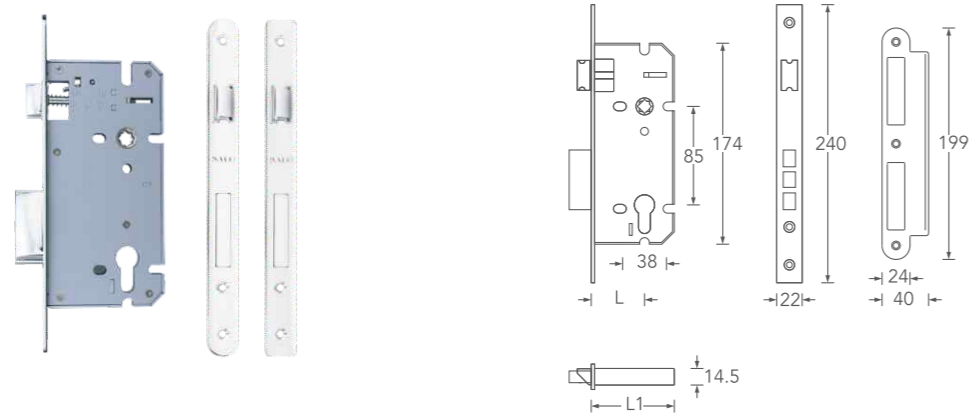


S2021D-1-K6

S2021D-1-32

S2021D-1-MY

■ S2021-1G插芯门锁 (铜) | COPPER LOCK SERIES



S2021-1G-28

S2021-1G-31

S2021-1G-CO

S2021-1G-MB



S2021-1G-BC

S2021-1G-32

S2021-1G-MY

S2021D-1-K6



SC4048C-31



SC4048C-C6



SC3548-31



SC3548A-35



SC3548B-35



SC4049-31YB



SC4049-C6YD



SC3549-31YC



SC3549-31YE



SC3549-31YL



SC3549-31YM



SC3549-C6YD

DESIGNER SERIES

DESIGNER SERIES



SC37A45A-YA02



SC3645-35



SC3847-02



SC3947-35



SC3544-02Y2



SC3544-02YG



SC3544-31Y1



SC3544-BCYF



SC7980-92



SC7980-M7



SC8080-92



SC8080-M7



SC3646-02YA



SC3550-C6YD



SC3551-35



SC4156-MT



SC7681-M7



SC4452-35



SC4452-B5



SC4153-28Y6



SC4154-M7Y7



SC4358-32



SC4260-32



SC4361-31



SC4362-31

DESIGNER SERIES

DESIGNER SERIES

■小拉手 (铜) | FURNITURE HANDLE-COPPER



SK6106C-Y2



SK6106C-Y3



SK6106C-Y5



SK6106C-YH

SALO

FURNITURE HARDWARE

SERIES

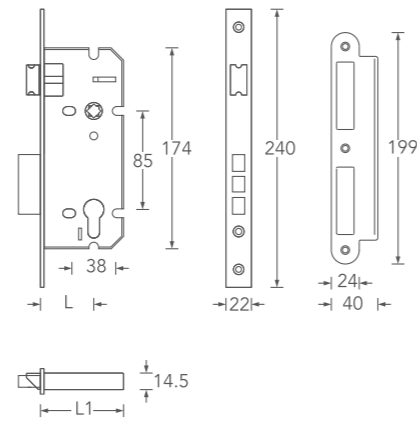


家具五金系列

■ S2021-1G插芯门锁(铜) | COPPER LOCK SERIES



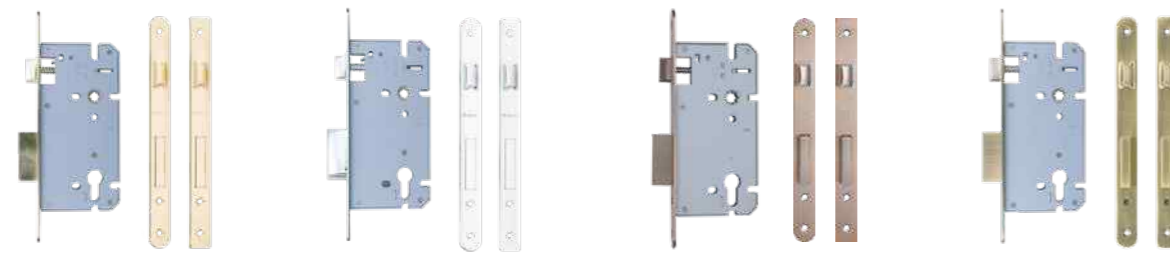
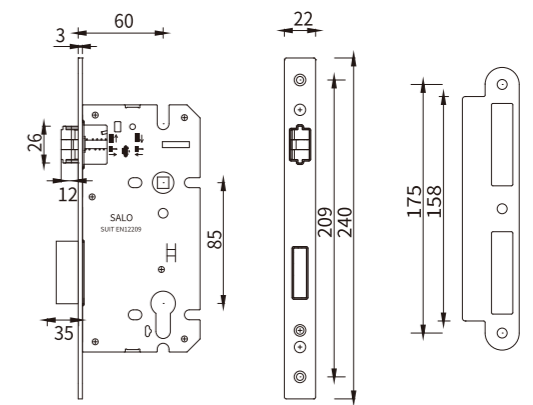
SS2021-1G-31



■ S2021D-1插芯门锁(铜) | COPPER LOCK SERIES



S2021D-1-31



S2021-1G-28

S2021-1G-31

S2021-1G-CO

S2021-1G-MB



S2021D-1-K6

S2021D-1-31

S2021D-1-CO

S2021D-1-F36



S2021-1G-BC

S2021-1G-32

S2021-1G-MY

S2021D-1-K6



S2021D-1-K6

S2021D-1-32

S2021D-1-MY



NEW SC92108-N2



NEW SC92108-TU



NEW SC91108-N2



NEW SC91108-TU



NEW SC93109-N2



NEW SC93109-TU



NEW SC90A109-N2



NEW SC90A109-TU



SC8181-N2



SC8281-N2



NEW SC90103-TX



NEW SC90103-BZ



NEW SC90105-02



NEW SC90105-TR



NEW SC86107-TO



NEW SC86107-TP



NEW SC8686-CO



NEW SC8686-CP



NEW SC8690-02



NEW SC8690-31



NEW SC8690-CO



NEW SC8690-CP



NEW SC8690-N2



NEW SC8690-CQ



NEW SC8689-CO



NEW SC8689-CP



NEW SC8689-N2



SC2524-N2



SC2524-N4





NEW SC86111-TP



NEW SC86111-N2



NEW SC86111-TU



NEW SC86106-TU



NEW SC86106-TO



NEW SC86106-TP



SC8890-CO



SC8890-CP



SC8890-N2



SC8890-02



SC8890-CG





SC86101-31胡桃木手柄

SC86101-31榉木手柄

SC86102-31胡桃木手柄

SC86102-31榉木手柄



SC86100-31



SC8886-CO

SC8886-CP

NEW SC90104-TP

NEW SC8685-CP



SC8889-N2

SC8898-CP

SC8692-02

SC8697-CP



SC8793-02

SC8793-CP

SC8794-CO

SC8794-N4



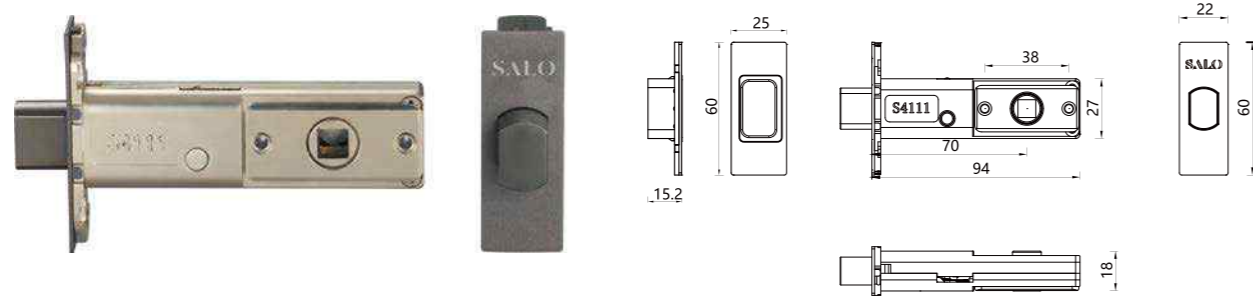
SC8787-N2

SC8796-N2

SC7525-N4

SALO

■ S4111-1 隐形门锁 | MORTISE DOOR LOCK



NEW S4111-1



NEW SC86110-N2



NEW SC86110-TU



NEW SC86110-TP



NEW SC86110-TO

CLASSIC SERIES

■ SS1034-C07移门拉手 | SLIDING DOOR LOCK



NEW SS1034-C07-TU

NEW SS1034-C07-TO

NEW SS1034-C07-TP



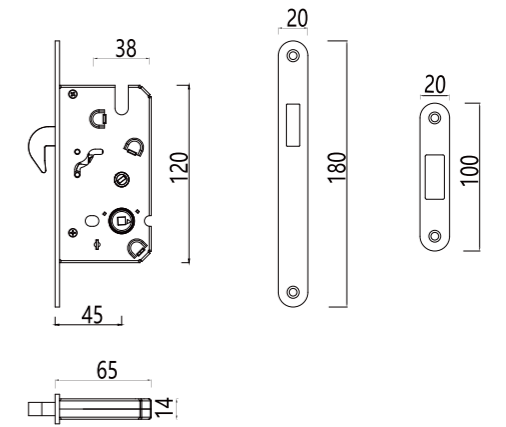
NEW SS1034-C07-N2

NEW SS1034-C07-CR

■ SS1041-1移门锁 | SLIDING DOOR LOCK



SS1041-1-31



SS1041-1-MN



SS1041-C01-31

SS1044-C01-31

CLASSIC SERIES

CLASSIC SERIES

■ 合页 | HINGE

SALO
DOOR HARDWARE
SERIES



门用五金系列

规格
4X3X4



NEW SW4162A-TU

规格
4X3X4



NEW SW4162A-TO

规格
4X3X4



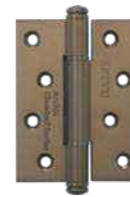
NEW SW4162A-TP

规格
4X3X4



NEW SW4162A-N2

规格
4X3X4



NEW SW4162A-CR

规格
5X3.5X4



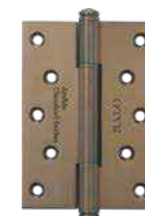
NEW SW4182A-TP

规格
5X3.5X4



NEW SW4182A-N2

规格
5X3.5X4



NEW SW4182A-CR

规格
5X3.5X4



NEW SW4182A-TU

规格
5X3.5X4



NEW SW4182A-TO



NEW SW2211C-TU



NEW SW2211C-TO



NEW SW2211C-TP



NEW SW2211C-N2



NEW SW2211C-CR



NEW SW2212C-TU



NEW SW2212C-TO



NEW SW2212C-TP



NEW SW2212C-N2



NEW SW2212C-CR

规格
4X3X4



SW4162-02

规格
4X3X4



SW4162-31

规格
4X3X4



SW4162-32

规格
4X3X4



SW4162-CO

规格
4X3X4



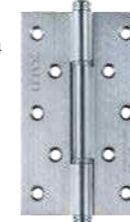
SW4162-N2

规格
4X3X4



SW4162-N4

规格
5X3.5X4



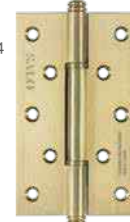
SW4182-32

规格
5X3.5X4



SW4182-CO

规格
5X3.5X4



SW4182-N2

规格
5X3.5X4



SW4182-N4

规格
5X3.5X4



SW4182-02

规格
5X3.5X4



SW4182-31

CLASSIC SERIES

CLASSIC SERIES

■ 门吸 | DOOR HOLDER



NEW SW1714C-TP



NEW SW1714C-N2



NEW SW1714C-CR



NEW SW1714C-TU



NEW SW1714C-TO



SW1778C-32



SW1778C-CO



SW1778C-N2



SW1778C-ORB



SW1778C-28



SW1778C-31



SW1779C-31



SW1779C-CO

■ 防尘筒 | MORTISE DOOR LOCK



SW4618C-Φ13-02



SW4618C-Φ13-31



SW4618C-Φ13-CO



SW4618C-Φ13-ORB

■ 插销 | DUST PROOF



规格
8"
12"

SW1640C-02



规格
8"
12"

SW1640C-31



规格
8"
12"

SW1640C-CO



规格
8"
12"

SW1640C-ORB

■小拉手 | MORTISE DOOR LOCK

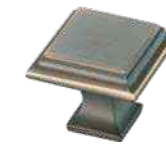
SALO

FURNITURE HARDWARE

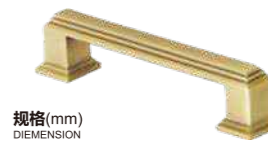
SERIES



NEW SK6200C-N2



NEW SK6200C-TU



规格(mm)
DIMENSION
L 96
128

NEW SK6201C-N2



规格(mm)
DIMENSION
L 96
128

NEW SK6201C-TU



NEW SK6206C-N2



NEW SK6206C-TU



NEW SK6206C-02



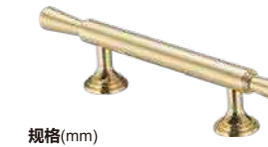
规格(mm)
DIMENSION
L 96
192

NEW SK6207C-N2



规格(mm)
DIMENSION
L 96
192

NEW SK6207C-TU



规格(mm)
DIMENSION
L 96
192

NEW SK6207C-02



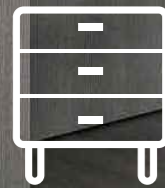
NEW SK6204C-TU



NEW SK6204C-TP



NEW SK6204C-N2



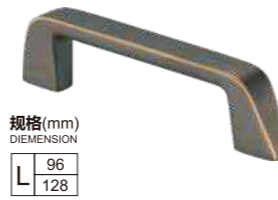
家具五金系列



NEW SK6213C-N2



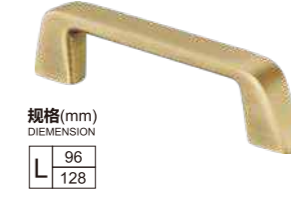
NEW SK6213C-TU



NEW SK6208C-TU



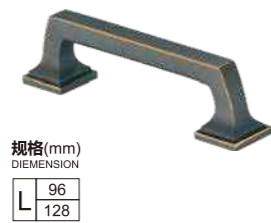
NEW SK6208C-TP



NEW SK6208C-N2



NEW SK6203C-N2



NEW SK6203C-TU



NEW SK6203C-TP



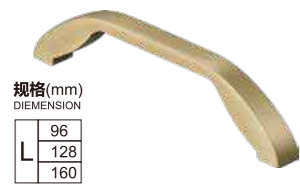
NEW SK6202C-TU



NEW SK6202C-02



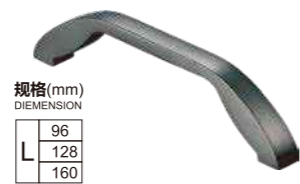
NEW SK6202C-N2



NEW SK6211C-N2



NEW SK6211C-T4



NEW SK6211C-TP



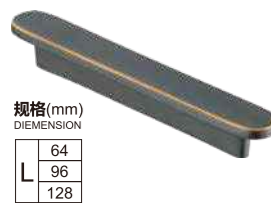
NEW SK6210C-TP



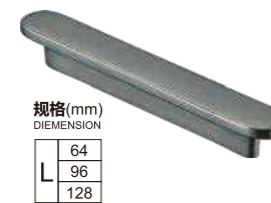
NEW SK6210C-N2



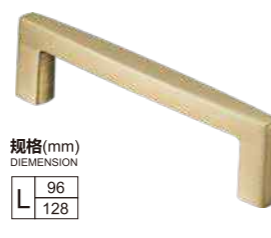
NEW SK6210C-T4



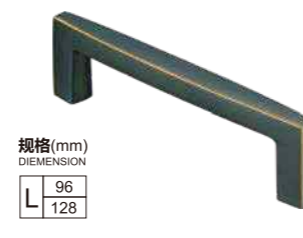
NEW SK6209C-TU



NEW SK6209C-TP



NEW SK6214C-N2



NEW SK6214C-TU



NEW SK6212C-N2

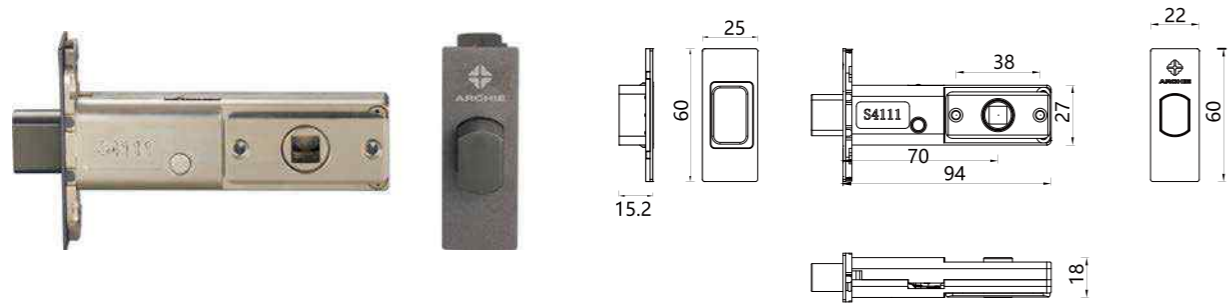


NEW SK6212C-TU



NEW SK6212C-T4

AS4111-1 插芯门锁(锌合金)| MORTISE DOOR LOCK-ZINC ALLOY



NEW AS4111-1



NEW AHP8810BR



NEW AHP881-KL



NEW AHP881-KP



NEW AHP881-KQ

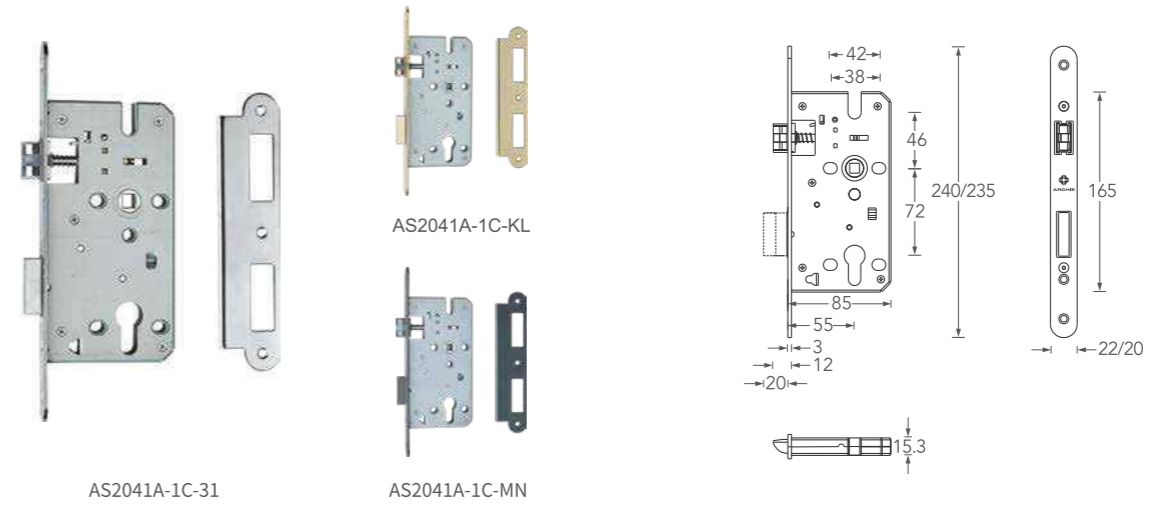


NEW AHP881-G5



NEW AHP881-KO

AS2041A-1C 插芯门锁-抗菌系列(锌合金)| MORTISE DOOR LOCK-ANTIBACTERIAL-ZINC ALLOY



AS2041A-1C-31

AS2041A-1C-KL

AS2041A-1C-MN



锁体: 黑枪哑漆
锁芯: 炭晶黑

AH33C185-KQ



锁体: 黑枪哑漆
锁芯: 炭晶黑

AH43185-KQ



锁体: 雅沙金
锁芯: 咖啡金

AHP6223-K9



锁体: 雅沙金
锁芯: 咖啡金

AHN5223-K9



锁体: 雅沙金
锁芯: 雅古棕

AHP6237-KP



锁体: 黑枪哑漆
锁芯: 炭晶黑

AHN5237-KQ



锁体: 雅沙金
锁芯: 雅古棕

AHN5237-KP



锁体: 雅沙金
锁芯: 雅沙金

AHP3238-KL



锁体: 黑枪哑漆
锁芯: 炭晶黑

AHP3238-KQ



锁体: 雅沙金
锁芯: 雅沙金

AHN5238-KL



锁体: 黑枪哑漆
锁芯: 炭晶黑

AHN5238-KQ

MECHANICAL LOCK



锁体：黑枪哑漆
锁芯：炭晶黑

AHP5230-KT



锁体：黑枪哑漆
锁芯：炭晶黑

AHN5230-KT



NEW AHP8337-KF



NEW AHP8337-KL



NEW AHP8337-KQ



NEW AHP8334-BR



NEW AHP8334-KO



NEW AHP8334-G5



NEW AHP891-BR



NEW AHP891-G5



NEW AHP8279-BR



NEW AHP8279-KO



NEW AHP8335-BR



NEW AHP8335-G5



NEW AHP8335-KO



NEW AHP8262-BR



NEW AHP8262-KF



NEW AHP8110-G3



NEW AHP8110-KO



NEW AHP8336-BR



NEW AHP8336-KP



NEW AHP8336-G5



NEW AHP8336-KQ



NEW AHP8122-KF



NEW AHP8122-BR



NEW AHQ4263D-G3



NEW AHQ4263D-KO



NEW AHP8329-BR



NEW AHP8329-KO



NEW AHP8329-G5



NEW AHP8329-KQ



AHN5204-KL



AHN5204-KP



AHN5204-BR



AHP2256-KQ



AHP2256-KO



AHN5210-BR



AHN5210-KL



AHN5210-KP



AHP1254-KT



AHP1254-KS



AHP8268-KO



AHP8268-G3



AHP8269-BR



AHP8269-KO



AHP8266-KO



AHP8266-BR

MECHANICAL LOCK

MECHANICAL LOCK



AHP8301-BR



AHP8303-BR



AHP8313-BR



AHN9247-KO

锁体：雅沙金
锁芯：皓月金



AHN9247-KQ

锁体：黑枪哑漆
锁芯：炭晶黑



AHN7231-KO

锁体：雅沙金
锁芯：皓月金



AHN7231-KQ

锁体：黑枪哑漆
锁芯：炭晶黑



AHN5245-KQ

锁体：黑枪哑漆
锁芯：炭晶黑



AHN5209-K9

锁体：雅沙金
锁芯：咖啡金



AHN5233-KQ

锁体：黑枪哑漆
锁芯：炭晶黑



AHD7224-KO

锁体：雅沙金
锁芯：皓月金



AHD7224-KQ

锁体：黑枪哑漆
锁芯：炭晶黑



NEW AHQ1328-BR



NEW AHQ1328-G5



AHD3248-KQ

锁体：黑枪哑漆
锁芯：炭晶黑



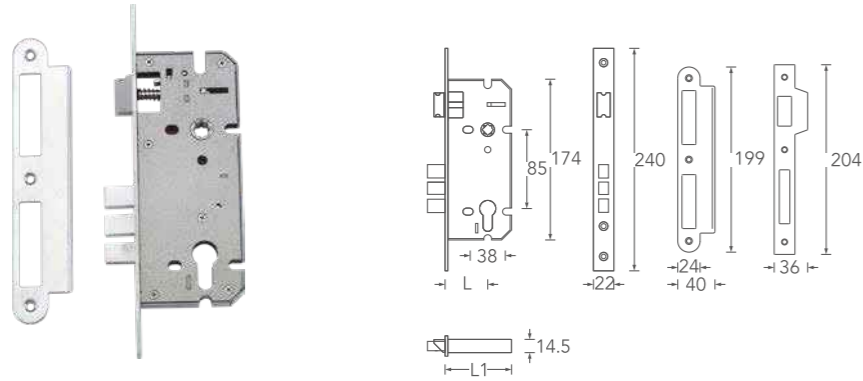
AHD3235-KQ

锁体：黑枪哑漆
锁芯：炭晶黑

MECHANICAL LOCK

MECHANICAL LOCK

AS2010/AS2020 选配锁体(锌合金) | 插芯门锁 MORTISE DOOR LOCK-ZINC ALLOY



AS2010/AS2020



锁体：铜拉丝
锁芯：青古铜

AH43185-BI



锁体：铜拉丝
锁芯：青古铜

AH43188-BI



锁体：铜拉丝
锁芯：青古铜

AH94180-BI



锁体：铜拉丝
锁芯：青古铜

AH33185-BI



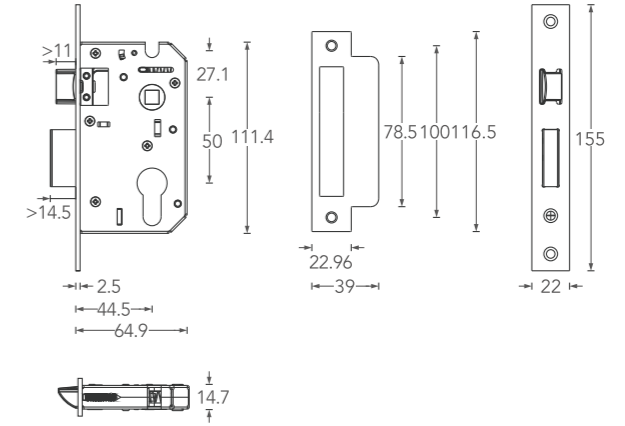
锁体：铜拉丝
锁芯：青古铜

AH74188-BI

AS2051A 插芯门锁(锌合金) | MORTISE DOOR LOCK-ZINC ALLOY



AS2051A锁体



AH32185-BI

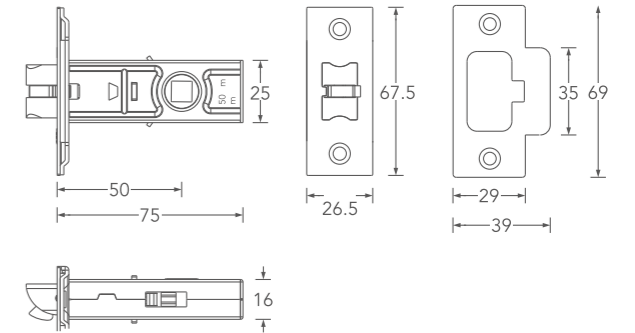


AHC6188-BI

S5080B | 插芯门锁 MORTISE DOOR LOCK



AS5080B



MECHANICAL LOCK

MECHANICAL LOCK

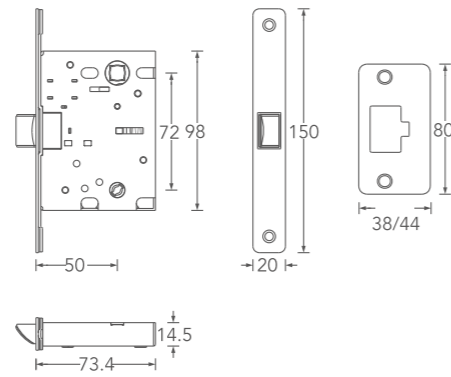


AHE433-KM



AHE671-KM

AS5090A 插芯门锁(铝合金)| MORTISE DOOR LOCK-ALUMINUM



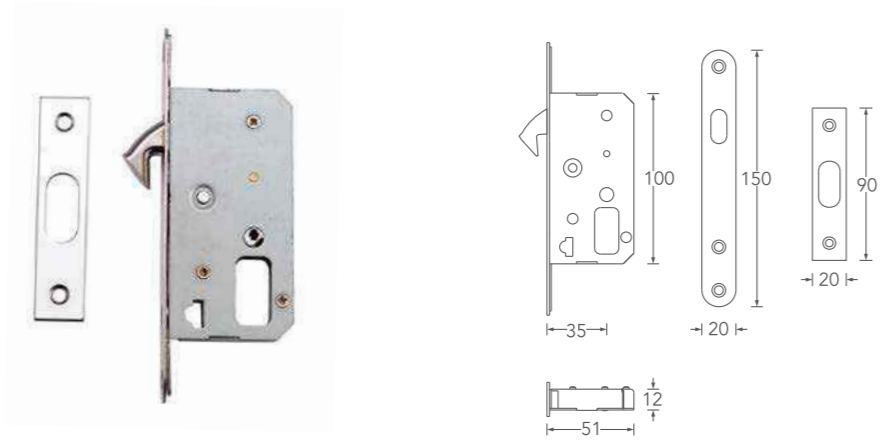
AS5090A 锁体+锁芯



AS5091A-E1610-K6

MECHANICAL LOCK

■ AS1030 移门锁(铜) | SLIDING DOOR LOCK-ZINC ALLOY



AS1030

■ AS1030 移门锁(锌合金) | SLIDING DOOR LOCK-ZINC ALLOY



AS1031-H01-KP



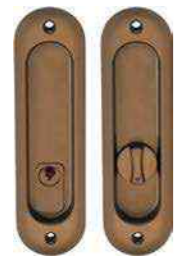
AS1031-H01-KQ



AS1034-H01-KP



AS1034-H01-KQ



AS1031-H03-KP



AS1031-H03-KQ

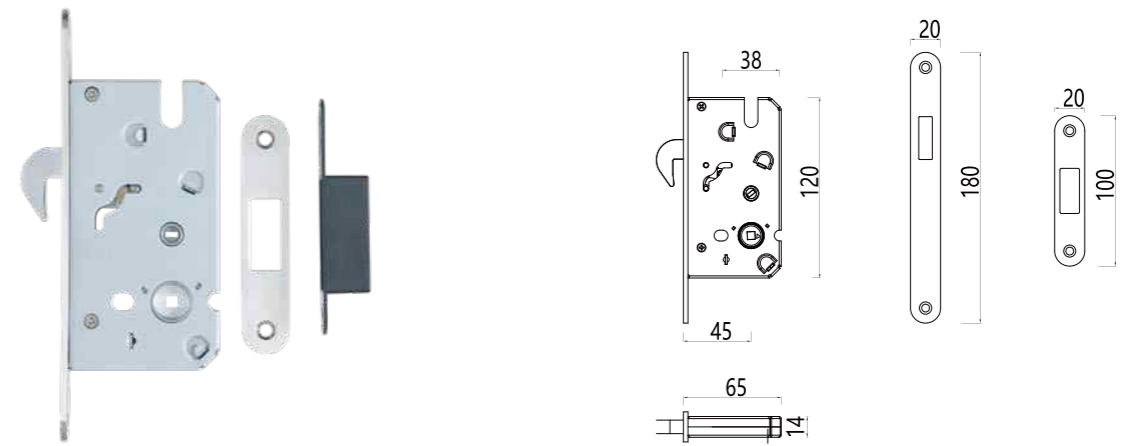


AS1034-H03-KP



AS1034-H03-KQ

■ AS1041-1移门锁 | SLIDING DOOR LOCK



AS1041-1-31



AS1041-1-MN



AS1041-H01-BR



AS1041-H01-KO



AS1044-H01-BR

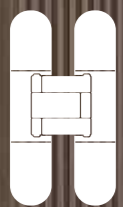


AS1044-H01-KO

MECHANICAL LOCK

MECHANICAL LOCK

DOOR HARDWARE SERIES



门用五金

ARCHIE® 雅洁

ARCHIE® 雅洁

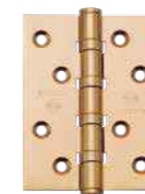
■ 合页(铜) | HINGE-COPPER

规格
4X3X3



AW4151D-4BB-K9

规格
4X3X3



AW4151D-4BB-KL

规格
4X3X3



AW4151D-4BB-KO

规格
4X3X3



AW4151D-4BB-KP

规格
4X3X3



AW4151D-4BB-KQ

■ 液压合页 | HYDRAULIC HINGE



AW4092E-KO



AW4094E-KO

■ 门吸(铜)| DOOR HOLDER-COPPER



AW1775-K9



AW1775-KL



AW1775-KO



AW1775-KP



AW1775-KQ



AW1775-KS



AW1775-KT



AW1773-BR



AW1773-KO

■ 门顶(铜)| DOOR STOPPER-COPPER



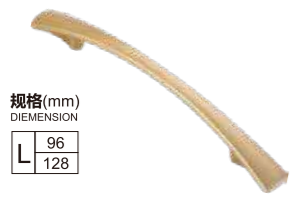
AW2230C-BR



AW2230C-KO

MECHANICAL LOCK

铝拉手 | FURNITURE HANDLE



AK6118-L-K6



AK6122-L-KF



AK6122-L-KQ



AK6122-L-K6



AK6139-L-KQ



AK6149-L-KP



AK6149-L-KQ



AK6160-L-KQ



AK6160-L-K6



AK6232-L-KP



AK6232-L-KQ



AK6252-KQ



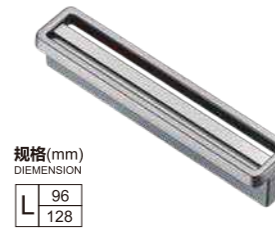
AK6252-L-KQ



AK6258-G3



AK6258-KQ



AK6258-L-G3



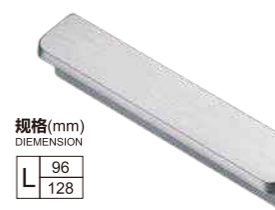
AK6258-L-KQ



AK6259-G3



AK6259-KQ



AK6259-L-G3

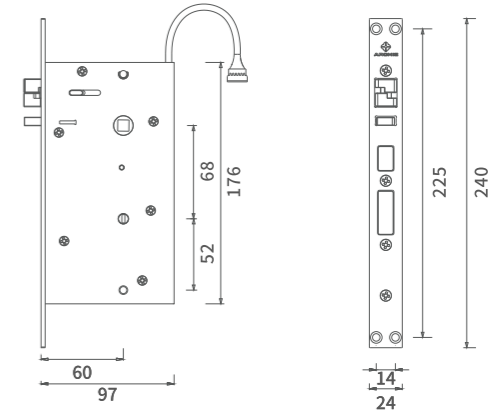


AK6259-L-KQ

MECHANICAL LOCK

MECHANICAL LOCK

■ AJ2160 智能门锁 | SMART LOCK



NEW AJ2160



NEW AJ2051-03-BR



NEW AJ2051-03-KO

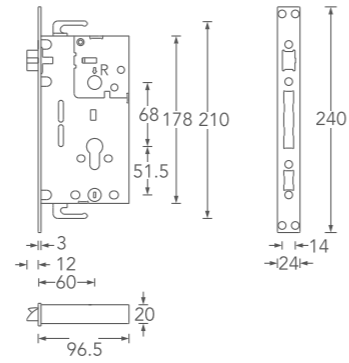
OUTDOOR DOOR LOCK SERIES

户外门锁

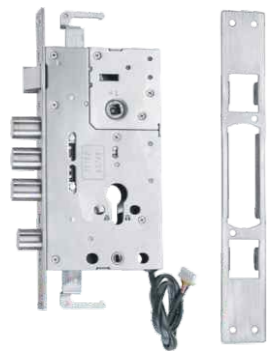
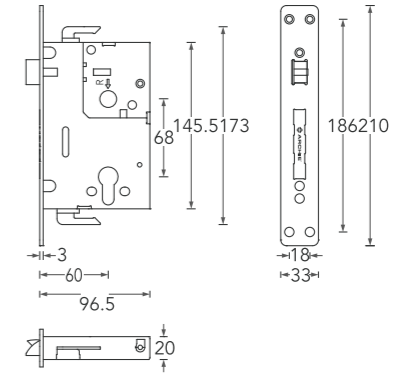
■AJ2040-1/AJ2050-1/AJ2050Y-1/AJ2140-1/AJ2150-1 智能门锁 | SMART LOCK



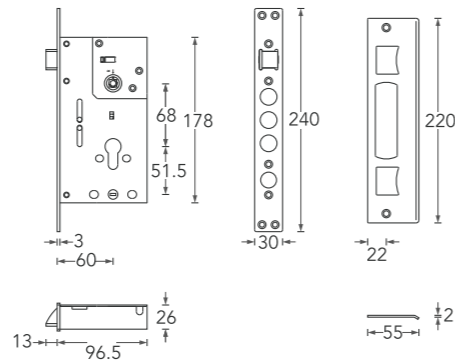
AJ2040-1



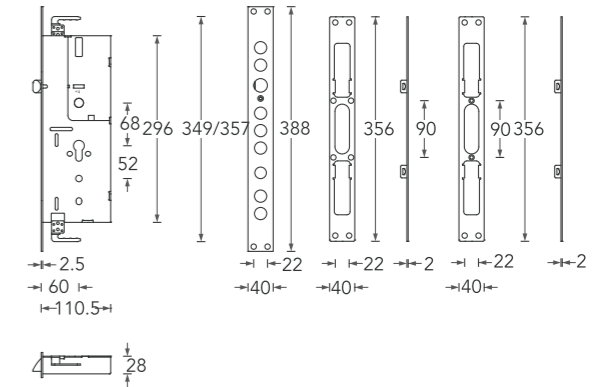
AJ2140-1



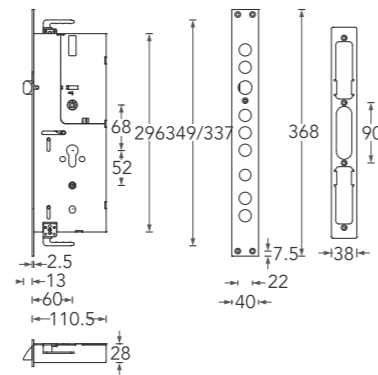
AJ2150-1



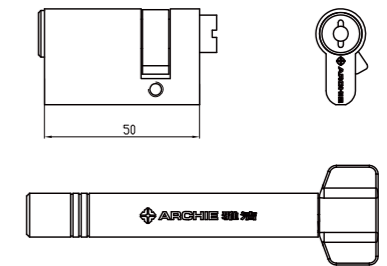
AJ2050-1



AJ2050Y-1



X1C-50A



■ AJ2040-1/AJ2050-1/AJ2050Y-1/AJ2140-1/AJ2150-1 智能门锁 | SMART LOCK



AJ2031-04-G3



AJ2011B-04C-36



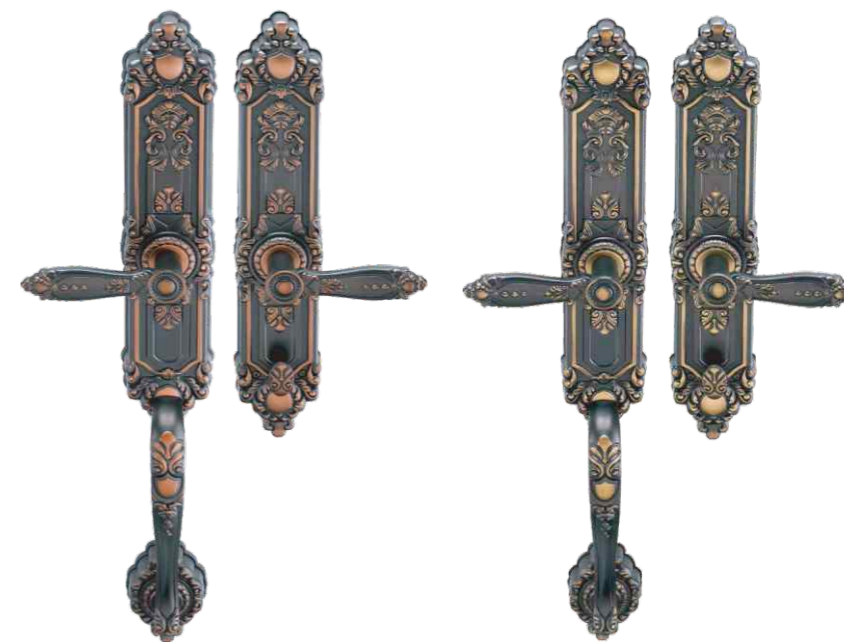
AJ2011B-04C-20



AJ2011B-04B-20



AJ2011B-04B-36



AJ2011B-04C-KT

AJ2011B-04C-KS



AJ2011B-04B-KT



AJ2011B-04B-KS

■ AJ2040-1/AJ2050-1/AJ2050Y-1/AJ2140-1/AJ2150-1 智能门锁 | SMART LOCK



微信网关 (选配) CB043-01 中继器 CB041-03



AJ2031-01A-KO
(选配联网功能)



AJ2031-01A-KQ
(选配联网功能)



AJ2031-03-KO
(选配联网功能)



AJ2031-03-BR
(选配联网功能)

■ AJ2040-1/AJ2050-1/AJ2050Y-1/AJ2140-1/AJ2150-1 智能门锁 | SMART LOCK



AJ2041-08-KO (选配联网功能)



AJ2041-08-KQ (选配联网功能)

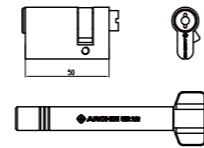
■ AJ2040-1 智能门锁 | SMART LOCK



AJ2040-1

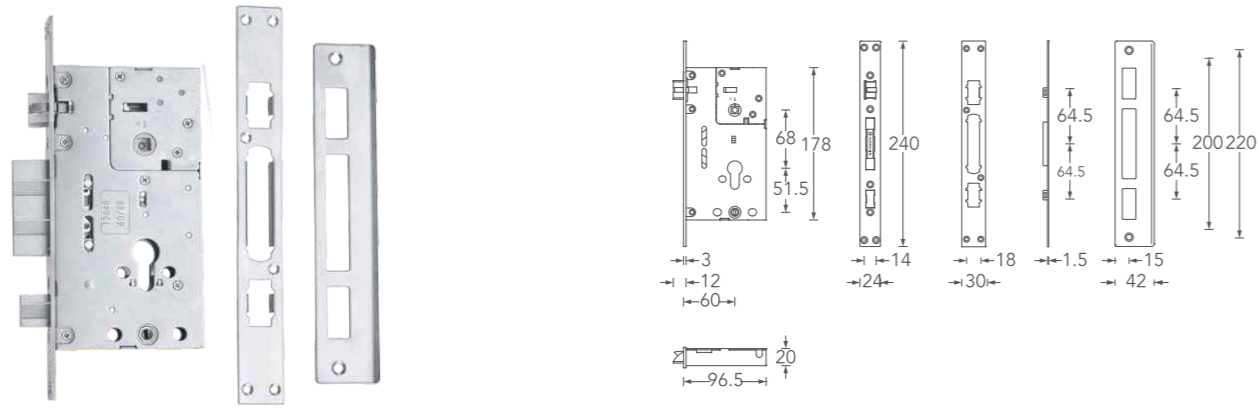


X1C-50A



AJ2041-07-KP

AS6160-1A 智能门锁 | SMART LOCK



AS6160-1A

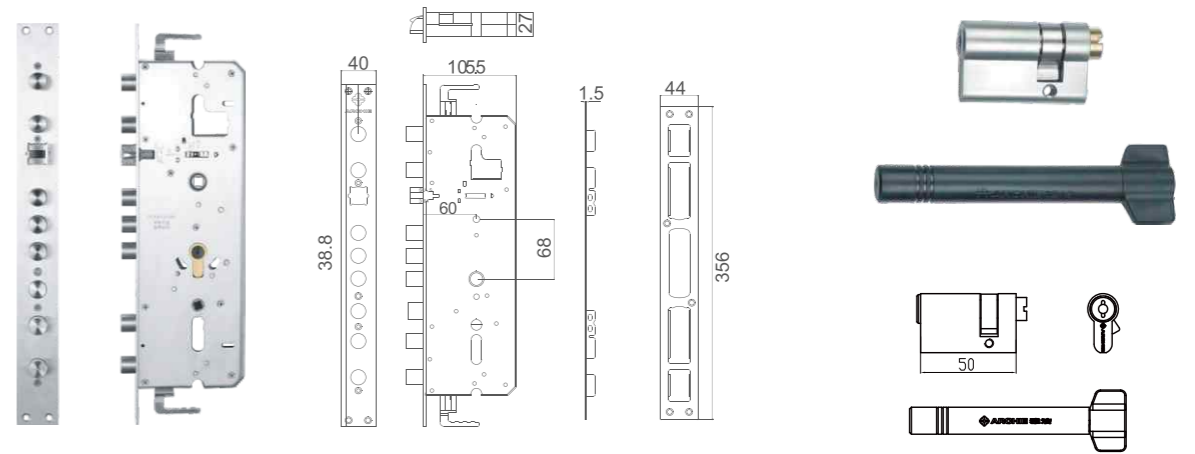


AJ2051-01A-BR



AJ2051-01A-KO

AS6080B-1 智能门锁 | SMART LOCK



AS6080B-1



CB043-02-00
智能无线网关



中继器



AJ2041-03-KL
(选配联网功能)



AJ2041-03-MB
(选配联网功能)

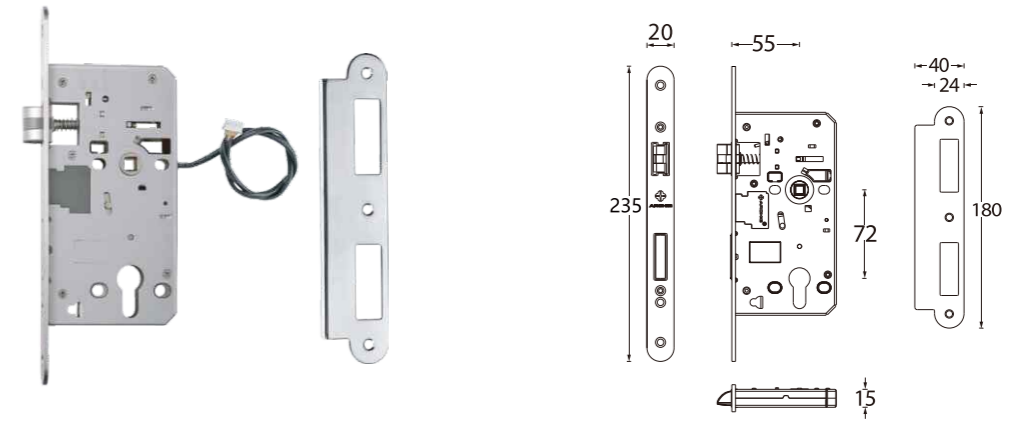
Self·私享

| 智 | 能 | 门 | 锁 |

在自我空间里修行

采用智能常开技术+门锁防护优势功能, 创造生物识别解锁+密码解锁+钥匙开锁三合一开门方式, 打造更简单便捷的人性化私密空间。

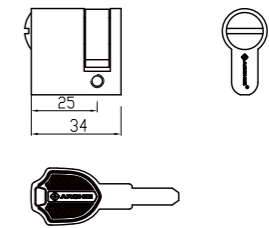
AJ1080-1B 智能门锁 | SMART LOCK



AJ1080-1A



CB012-73



NEW AJ4011-05A-G3



NEW AJ4011-05A-KO



NEW AJ4011-06-E2



NEW AJ4011-06-D2



NEW AJ4011-07-D2



NEW AJ4011-07-E2



NEW AJ4011-08-D2



NEW AJ4011-08-E2



NEW AJ4011-E12-D2



NEW AJ4011-E12-E2



NEW AJ4011-H05H10-BR



NEW AJ4011-H05H10-KO



NEW AJ4011-E06E11-D2



NEW AJ4011-E06E11-E2



NEW AJ4011-E08E11-E2



NEW AJ4011-E08E11-D2



NEW AJ4011-E07E11-D2



NEW AJ4011-E07E11-E2



NEW AJ4011-E12E09-D2



NEW AJ4011-E12E09-E2

SMART LOCK SERIES

SMART LOCK SERIES



NEW AJ4011-W11-YJ 胡桃木



NEW AJ4011-V11-E2 蓝色十字纹



NEW AJ4011-V11-E2 橙色十字纹



NEW AJ4011-V11-E2 奶白荔枝纹



NEW AJ4011-E11-D2

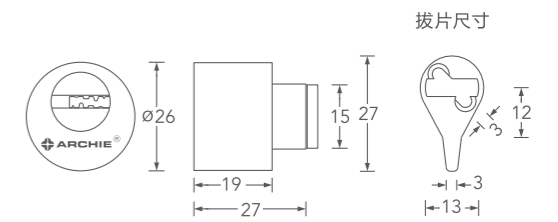
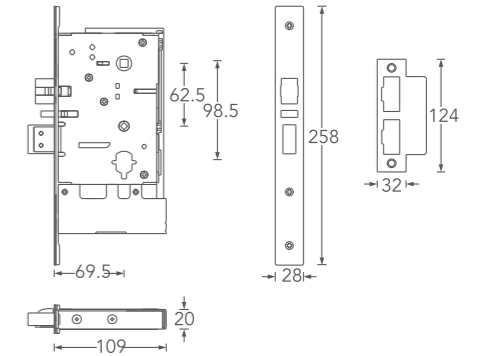


NEW AJ4011-E11-E2

■ AJ3011-1 酒店锁 | HOTEL SMART LOCK



AJ3011-1



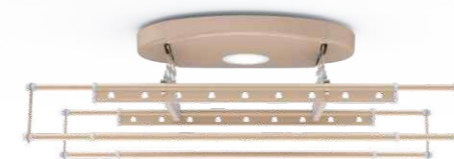
AJ3011-09-K9



AJ3011-09-ORB

CLOTHES AIRER SERIES

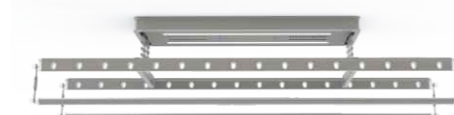
智能晾衣机 | SMART CLOTHES AIRER



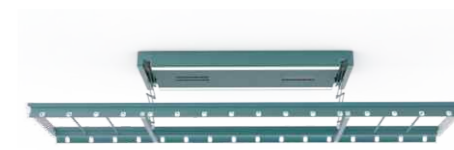
NEW ACP512-03-E7



NEW ACP511-04-E8



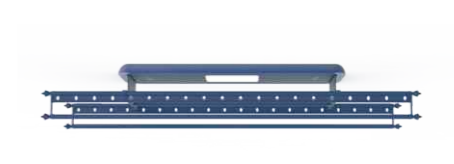
NEW ACP511-05-DF



NEW ACP511-06-E9



NEW ACP511-07-E10



NEW ACP511-08-E11



晾衣机

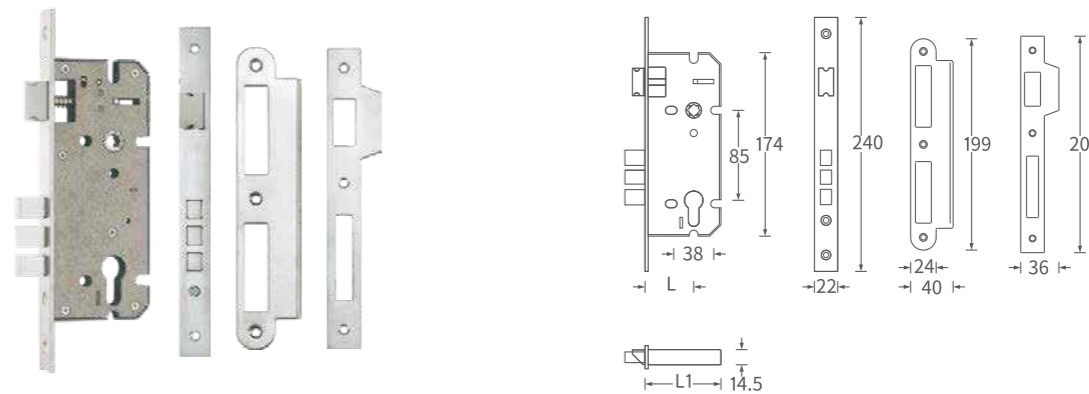
COPPER LOCK DOOR LOCK SERIES

←
🔑
铜锁门锁

ARCHIE 雅洁

ARCHIE 雅洁

AS2021A锁体系列 | COPPER LOCK SERIES



AS2021



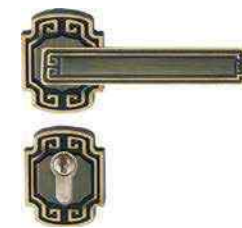
AS2021-C5372-MB



AS2021-C6175-25



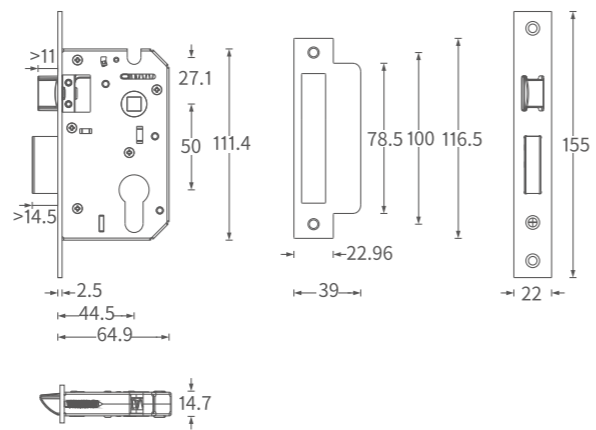
AS2021-C6175-MB



AS2021-C6375-MB

MECHANICAL LOCK SERIES

AS2051A锁体系列 | COPPER LOCK SERIES



AS2051A



AS2051A-C1412-02



AS2051A-C1412-B5



AS2011-C1312-02



AS2011-C0507-25



AS2051A-C0707A-25



AS2051A-C4920-02



AS2031-C05-02



AS2051A-C5171-B5



AS2051A-C5171-ORB



AS2051A-C4920-B5



AS2051A-C6275-MB



AS2051A-C6275-25



AS2051A-C6876-MB



AS2051A-C6576-ORB



AS2051A-C5472-MB



AS2051A-C5673-ORB



AS2051A-C1713A-MB

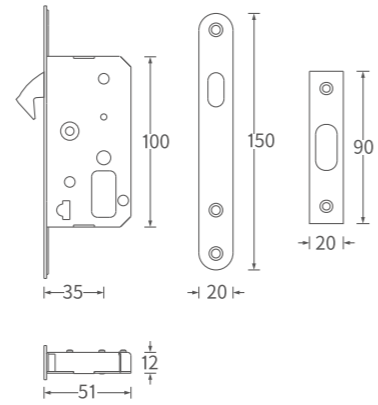


AS2051A-C4634-ORB

AS1030 移门锁 (铜) | SLIDING DOOR LOCK-COPPER



AS1030



AS1031-C01-02



AS1031-C01-25



AS1031-C01-BM



AS1034-C01-02



AS1034-C01-25



AS1034-C01-BM



AS1031-C03-MB



AS1031-C03-02



AS1034-C03-MB



AS1034-C03-02



AS1031-C04-02



AS1031-C04-B5



AS1034-C04-02



AS1034-C04-B5



AS1031-C05-ORB



AS1034-C05-ORB



AS1031-C06-BO



AS1034-C06-BO



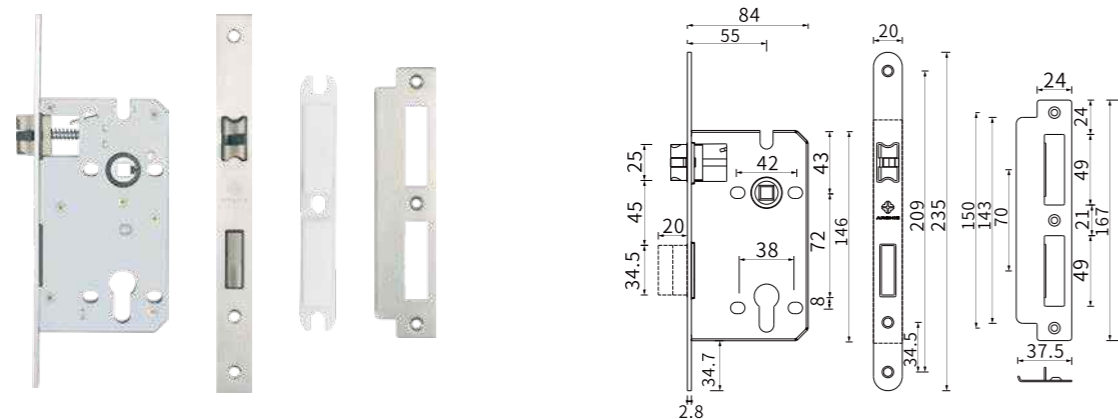
AS1031-C02-25



AS1034-C02-25

MECHANICAL LOCK SERIES

AS2291-1 插芯门锁 (锌合金) | MORTISE DOOR LOCK-ZINC ALLOY



NEW AS2291-1



NEW AHR2349-M7

NEW AHR2349-TQ

NEW AHR2349-T4



NEW AHQ9A349-M7

NEW AHQ9A349-TQ

NEW AHQ9A349-T4



NEW AHQ9338-TQ

NEW AHQ9338-TP

NEW AHQ9338-T4



NEW AHQ9342-N1

NEW AHQ9342-TP

NEW AHQ9342-TQ



NEW AHQ9343-N1

NEW AHQ9343-TP

NEW AHQ9343-TQ



NEW AHQ9344-TQ

NEW AHQ9344-TP



NEW AHR3347-TQ



NEW AHR3347-TP



NEW AHR3347-T4



NEW AHQ8341-TQ



NEW AHQ8341-TP



NEW AHQ8341-T4



NEW AHQ8347-TQ



NEW AHQ8347-TP



NEW AHQ8347-T4



NEW AHQ8348-T4



NEW AHQ8348-TQ



NEW AHQ8348-TP



NEW AHQ8339-TT



NEW AHQ8339-TS



NEW AHQ8350-T4



NEW AHQ8350-TQ



NEW AHQ8350-TP



NEW AHQ8340-TQ



NEW AHQ8340-TP



NEW AHQ8340-T4



NEW AHQ8351-TQ



NEW AHQ8351-TP



NEW AHQ8351-T4



NEW AHQ9346-TS

NEW AHQ9346-TT

NEW AHQ9346-TK

AS2291-1 插芯门锁(铝合金) | MORTISE DOOR LOCK-ZINC ALLOY



NEW AE0108-D4

NEW AE0108-E5

NEW AE0118-D4

NEW AE0118-E5



NEW AE0112-E6

NEW AE0112-E5

NEW AE0112-D4



NEW AE0119-E6

NEW AE0119-E5

NEW AE0119-D4



NEW AE0128B-E6

NEW AE0128B-E5

NEW AE0115C-E6

NEW AE0115C-E5



NEW AE0134-E6

NEW AE0134-E5

NEW AE0134-D4



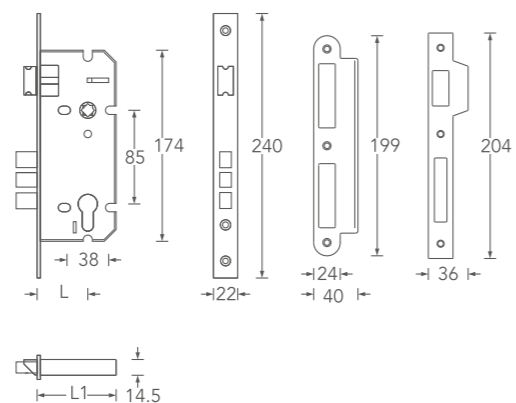
AE0135-E6

AE0135-E5

AE0136-E5

AE0136-D4

AS2010/AS2020 锁体(锌合金) | 插芯门锁 MORTISE DOOR LOCK-ZINC ALLOY



AS2010/AS2020



AH4205C-20



AH4205C-21



AH4205C-81



AH7005C-21



AH7005C-20



AHB9169-02



AHB9169-BB



AH2360-81



AHC0170-36



AHB8171-02

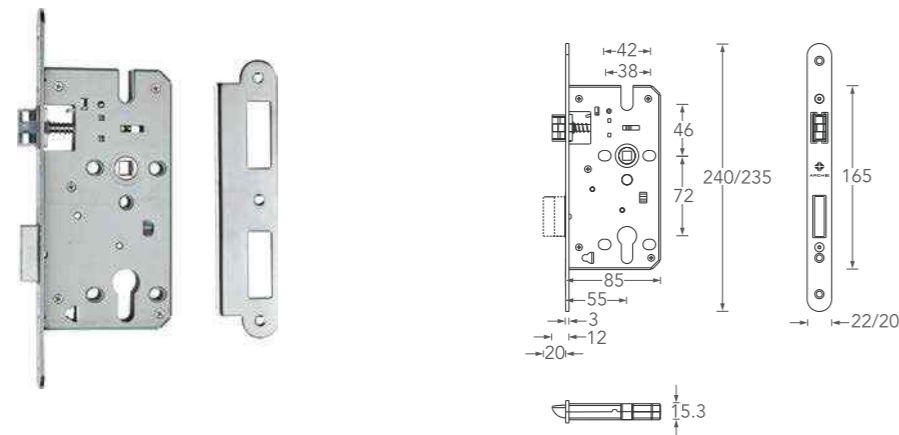


AH14D90-02

AH43250-ORB (不扫色)

AH43251-ORB (不扫色)

AS2040A 插芯门锁 (锌合金) | MORTISE DOOR LOCK-ZINC ALLOY



AS2041A-1C-31



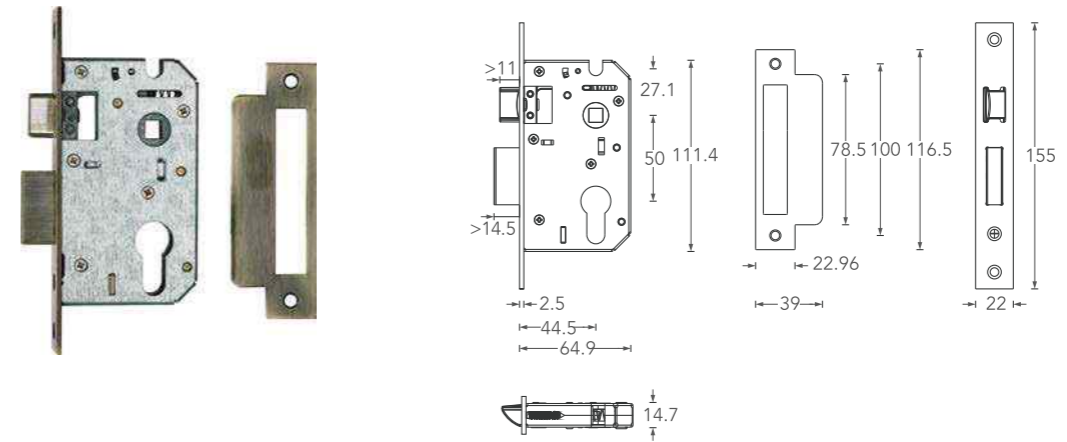
AHN5233-31

AHD3235-31

AHN5210-31

AHN5245-31

AS2051A 插芯门锁 (锌合金) | MORTISE DOOR LOCK-ZINC ALLOY



AS2051A 锁体



AH4105C-20

AH4105C-21

AH4105C-81



AH7105C-20

AH7105C-21

AHB179-36



AH4198-21

AH4198-81



AH3271-12



AH2933-12



AH3956-81



AH3060-81



AHM4264-36



AHM7265-MU



AHC4170-36



AHC2171-81

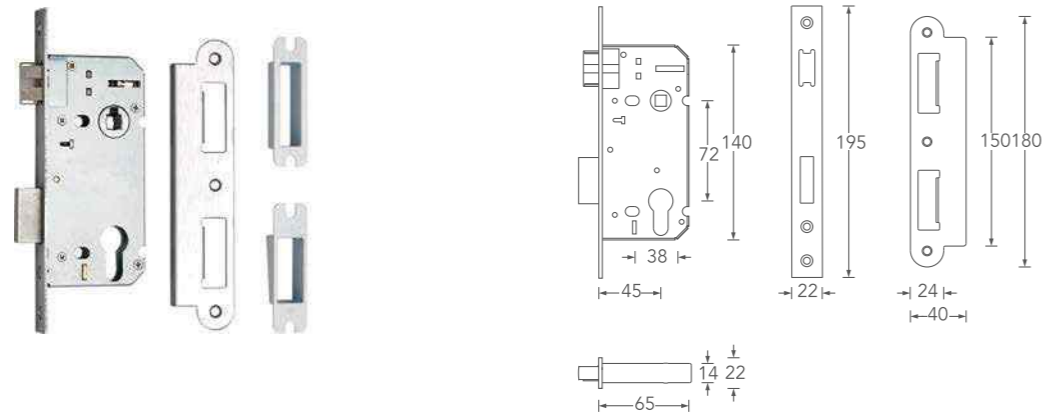


AHM8195-BB



AHL1242-B5

AS2101 插芯门锁 (铝) | MORTISE DOOR LOCK-ALUMINUM



AS2101 锁体 + 单开普通锁芯



AE0419-D7

AE0419-DM

AE0119-D7

AE0119-DM



AE0105-D7

AE0105-DM

AE0110-D7

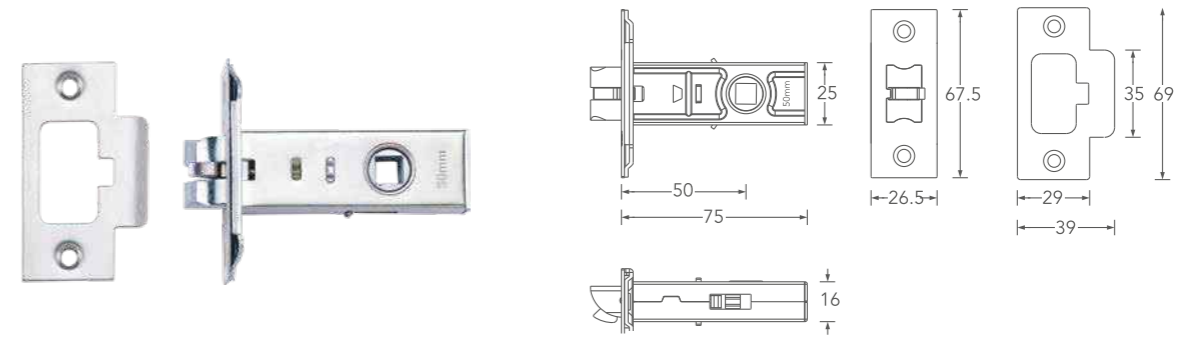
AE0110-DM



AE0115-D7

AE0115-DM

S5080B 插芯门锁 (锌合金) | MORTISE DOOR LOCK-ZINC ALLOY



AS5080B



AHE433-ORB

AHE433-12

AHE671-ORB

AHE671-12



AHL1242-B5

AHL1242-ORB



AHE315-12

AH8320A-12

AH84124-12

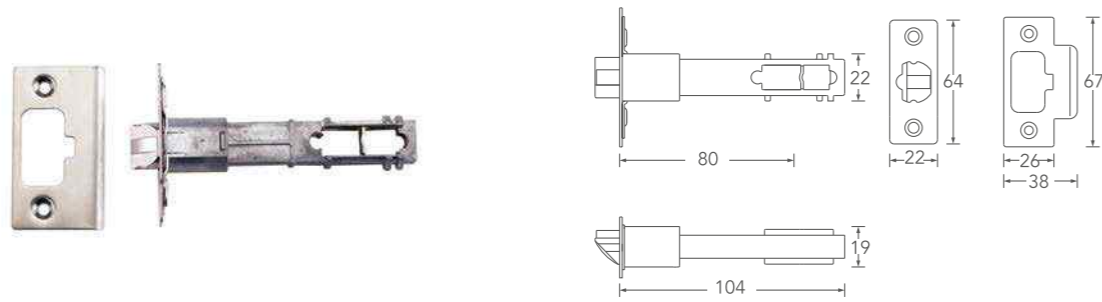
AHE856-81



AHB6168-M7

AHE779-21

AS4040 球形把手锁 (锌合金) | HANDLE LOCK WITH KNOB-ZINC ALLOY



S4040 锁体

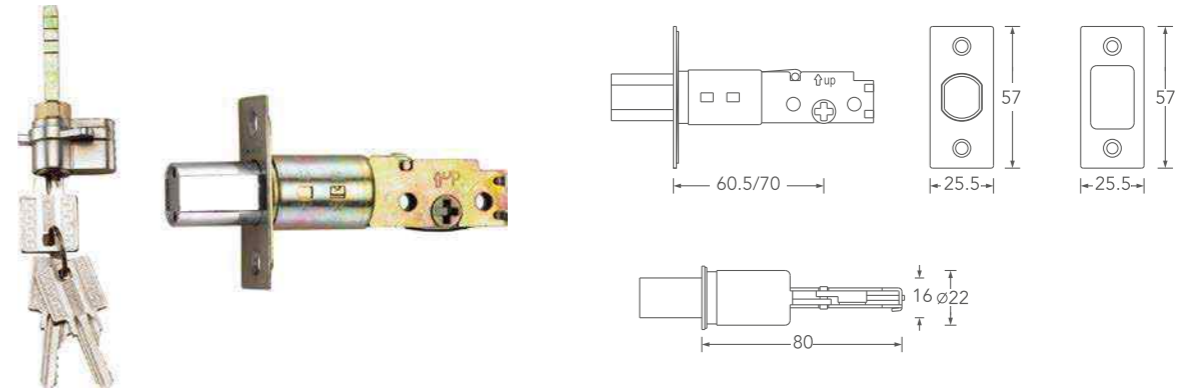


AS4041-14
AS4042-14



AS4041-27
AS4042-27

AS4080 插芯门锁 (锌合金) | MORTISE DOOR LOCK-ZINC ALLOY



AS4080



AS4081-HD2P-21



AS4081-HD2P-70



AS4081-HD2P-78

MECHANICAL LOCK

MECHANICAL LOCK

■ AZ1040 玻璃门锁 (锌合金) | GLASS DOOR LOCK-ZINC ALLOY

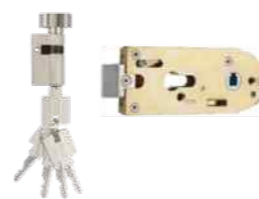


AZ1040



AZ1044+AZ1041KW1

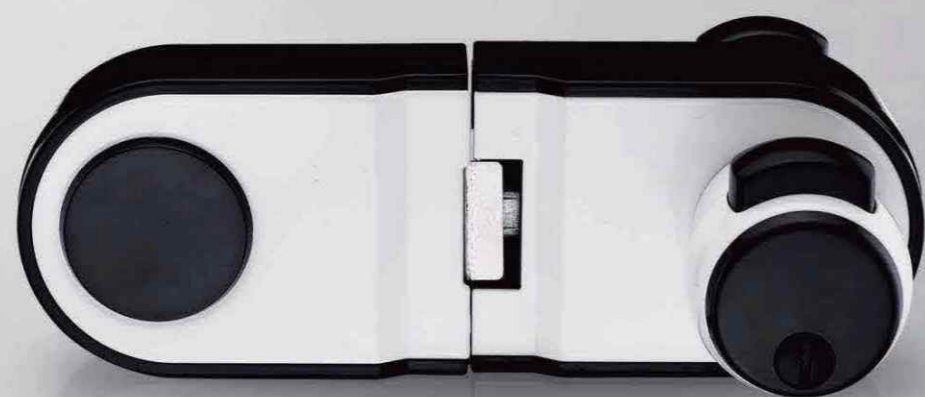
■ AZ1010 玻璃门锁 (锌合金) | GLASS DOOR LOCK-ZINC ALLOY



AZ1010



AZ1011-12



SLIDING DOOR LOCK SERIES



移门锁

ARCHIE® 雅洁

ARCHIE® 雅洁

■ AS1030 移门锁 (锌合金) | SLIDING DOOR LOCK-ZINC ALLOY



AS1031-H03-12



AS1031-H03-21



AS1034-H03-12



AS1034-H03-21



AS1031-H01-12



AS1034-H01-12

X系列锁胆 | X SERIES CYLINDER

X0A 单开防盗锁胆



规格:
X0A-105Z

空间轨迹槽结构
14个旋转叶片、零件空转防暴力开启
钥匙非厂家无法复制技术
独特的钥匙编码牙号
执行企业标准：防技术开启600分钟

X0B 双开防盗锁胆 (德安十三)



规格:
X0B-R86P(47.5+38.5) X0B-R80P(41.5+38.5)

空间轨迹槽结构
14个旋转叶片、零件空转防暴力开启
钥匙非厂家无法复制技术
独特的钥匙编码牙号
执行企业标准：防技术开启600分钟

X0B 双开防盗锁胆



规格:

X0B-65Z	X0B-70Z	
X0B-75P(42.5+32.5)	X0B-90Z	X0B-75Z
X0B-105P(72.5+32.5)	X0B-70P(37.5+32.5)	X0B-80Z
X0B-80P(47.5+32.5)	X0B-95P(62.5+32.5)	X0B-115P(82.5+32.5)
		X0B-110P(77.5+32.5)

空间轨迹槽结构
14个旋转叶片、零件空转防暴力开启
钥匙非厂家无法复制技术
独特的钥匙编码牙号
执行企业标准：防技术开启600分钟

X0B 双开锁胆 (保德安十一)



规格:
X0B-B80R(41.5+38.5) X0B-B86R(47.5+38.5) X0B-B117R(75.5+41.5)
X0B-B117P(62.5+54.5)

空间轨迹槽结构
14个旋转叶片、零件空转防暴力开启
钥匙非厂家无法复制技术
独特的钥匙编码牙号
执行企业标准：防技术开启600分钟

X0B 双开防盗锁胆 (11齿)



规格:
X0B-S75P(42.5+32.5) X0B-S95P(62.5+32.5)

空间轨迹槽结构
14个旋转叶片、零件空转防暴力开启
钥匙非厂家无法复制技术
独特的钥匙编码牙号
执行企业标准：防技术开启600分钟

X1单开防盗锁胆



规格:
X1A-105Z

空间轨迹槽结构
16个旋转叶片、零件空转防暴力开启
钥匙非厂家无法复制技术
独特的钥匙编码牙号
执行企业标准：防技术开启600分钟

X0B 双开防盗锁胆 (王力款)



规格:
X0B-W78P(34+44) X0B-W88P(34+54)

空间轨迹槽结构
14个旋转叶片、零件空转防暴力开启
钥匙非厂家无法复制技术
独特的钥匙编码牙号
执行企业标准：防技术开启600分钟

X1双开防盗锁胆



规格:
X1B-70Z X1B-70P(37.5+35) X1B-75Z
X1B-75P(42.5+35) X1B-80Z X1B-80P(47.5+35)
X1B-85P(52.5+35) X1B-90Z X1B-90P(57.5+35)
X1B-95P(62.5+35) X1B-105P(72.5+35) X1B-110P(77.5+35)
X1B-115P(82.5+35)

空间轨迹槽结构
16个旋转叶片、零件空转防暴力开启
钥匙非厂家无法复制技术
独特的钥匙编码牙号
执行企业标准：防技术开启600分钟



三向立体空间锁定
侧异形弹子、动平衡弹子、联体珠中珠、多珠组合
独特的钥匙牙号、钥匙编码
执行企业标准：防技术开启600分钟

X3 双开防盗锁胆

规格：

X3B-70Z	X3B-70P(37.5+35)	X3B-75Z
X3B-75P(42.5+35)	X3B-80Z	X3B-80P(47.5+35)
X3B-85P(52.5+35)	X3B-90Z	X3B-90P(57.5+35)
X3B-90P(62.5+35)	X3B-95P(62.5+35)	X3B-105P(72.5+35)
X3B-110P(77.5+35)	X3B-115P(82.5+35)	



三向立体空间锁定
侧异形弹子、动平衡弹子、联体珠中珠、多珠组合
独特的钥匙牙号、钥匙编码
执行企业标准：防技术开启600分钟

X3 单开防盗锁胆

规格：

X3A-75P(42.5+35)	X3A-80P(47.5+35)	X3A-90Z
X3A-105Z		



空间轨迹槽结构
24个旋转叶片、无间隔叶片叠加技术
钥匙非厂家无法复制技术
独特的钥匙牙号、钥匙编码
执行企业标准：防技术开启600分钟

X5 双开防盗锁胆

规格：

X5B-70Z	X5B-70P(37.5+35)	X5B-75Z
X5B-75P(42.5+35)	X5B-80Z	X5B-80P(47.5+35)
X5B-85P(52.5+35)	X5B-90Z	X5B-90P(57.5+35)
X5B-95P(62.5+35)	X5B-105P(72.5+35)	X5B-110P(77.5+35)
X5B-115P(82.5+35)		



X5 单开防盗锁胆

规格：

X5A-105Z

空间轨迹槽结构
24个旋转叶片、无间隔叶片叠加技术
钥匙非厂家无法复制技术
独特的钥匙牙号、钥匙编码
执行企业标准：防技术开启600分钟



XCA 单开防盗锁胆

规格:

XCA-70Z	XCA-75Z	XCA-85Z
XCA-105Z		

空间轨迹槽结构
14个旋转叶片、零件空转防暴力开启
钥匙非厂家无法复制技术
独特的钥匙编码牙号
执行企业标准：防技术开启600分钟



XGB 双开防盗锁胆

规格:

XGB-70P(37.5+35)	XGB-70Z	XGB-75P(42.5+35)
XGB-75Z	XGB-80Z	XGB-80P(47.5+35)
XGB-85Z	XGB-85P(52.5+35)	XGB-90Z
XGB-90P(57.5+35)	XGB-95Z	XGB-95P(62.5+35)
XGB-105P(72.5+35)	XGB-115P(82.5+35)	XCB-110P(77.5+32.5)

空间轨迹槽结构
24个旋转叶片、无间隔叶片叠加技术
钥匙非厂家无法复制技术
独特的钥匙牙号、钥匙编码
执行企业标准：防技术开启600分钟



XCB 双开防盗锁胆

规格:

XCB-65Z	XCB-70Z	XCB-70P(37.5+32.5)
XCB-75P(42.5+32.5)	XCB-75Z	XCB-80Z
XCB-80P(47.5+32.5)	XCB-85Z	XCB-85P(52.5+32.5)
XCB-90Z	XCB-90P(57.5+32.5)	XCB-95P(62.5+32.5)
XCB-105Z	XCB-105P(72.5+32.5)	XCB-115P(82.5+32.5)
XCB-110P(77.5+32.5)		

空间轨迹槽结构
14个旋转叶片、零件空转防暴力开启
钥匙非厂家无法复制技术
独特的钥匙编码牙号
执行企业标准：防技术开启600分钟



XGA 单开防盗锁胆

规格:

XGA-105Z	XGA-105Z
----------	----------

空间轨迹槽结构
24个旋转叶片、无间隔叶片叠加技术
钥匙非厂家无法复制技术
独特的钥匙牙号、钥匙编码
执行企业标准：防技术开启600分钟



XDA 单开防盗锁胆

规格:

XDA-105Z	XDA-105Z
----------	----------

空间轨迹槽结构
16个旋转叶片、零件空转防暴力开启
钥匙非厂家无法复制技术
独特的钥匙编码牙号
执行企业标准：防技术开启600分钟



XDB 双开防盗锁胆

规格:

XDB-70Z	XDB-70P(37.5+35)	XDB-75Z
XDB-75P(42.5+35)	XDB-80P(47.5+35)	XDB-80Z
XDB-85P(52.5+35)	XDB-85Z	XDB-90P(57.5+35)
XDB-90Z	XDB-95P(62.5+35)	XDB-105P(72.5+35)
XDB-115P(82.5+35)	XDB-110P(77.5+35)	

空间轨迹槽结构
16个旋转叶片、零件空转防暴力开启
钥匙非厂家无法复制技术
独特的钥匙编码牙号
执行企业标准：防技术开启600分钟

■ 液压合页 (铝) | HYDRAULIC HINGE-ALUMINUM



AW4092E-BX



AW4092E-D7



AW4092E-MA



AW4094E-BX



AW4094E-D7



AW4094E-MA

■ 暗铰链 (锌合金) | CONCEALED HINGE-ZINC ALLOY



NEW AK8214E-08



NEW AK8214E-MA

规格	承重	适合门厚
1351mm	60kg/付	≥45mm
1609mm	80kg/付	≥48mm

规格	承重	适合门厚
1351mm	60kg/付	≥45mm
1609mm	80kg/付	≥48mm

规格
45.60.70
95.118A



AK8214

规格
1905mm
承重
100kg/付
适合门厚
≥38mm



AK8214C-Q1

规格
1707mm
承重
100kg/付
适合门厚
≥35mm



AK8214D-Q13D

■ 合页 (铜) | HINGE-COPPER

规格
4X3X4



AW4262-2BB-02

规格
4X3X4



AW4262-2BB-B5

规格
4X3X4



AW4262-2BB-BM

规格
5X3.5X4



AW4272-2BB-02

规格
5X3.5X4



AW4272-2BB-B5

规格
5X3.5X4



AW4272-2BB-BM

规格
4X3X3



AW4151D-4BB-21

规格
4X3X3



AW4151D-4BB-ORB

规格
5X3.5X3



AW4121-4BB

规格
4X4X3









AW4131-4BB

DOOR HARDWARE

DOOR HARDWARE

■ 平头合页 (不锈钢) | HINGE-STAINLESS STEEL

<p>规格(304料) 4X3X2.5 4X3X3 4X4X3 5x3x3 5x5x3.5 6x4x3.5 5X3.5X3</p>		<p>规格(201料) 4x3x2.5 4x3x3 4x4x3 5x3.5x3 5x3x3</p>		<p>规格(201料) 4X3X2.5 4X3X3 4x4x3 5x3.5x3 5x3x3</p>		<p>规格 (201料) 4X3X2.5 4X3X3 4x4x3 5x3.5x3 5x3x3</p>	
	AW4110F-4BB		AW4110F-4BB-20		AW4110F-4BB-21		AW4110F-4BB-42

<p>规格(201料) 4x3x3 4x4x3 5x3x3</p>		<p>规格(201料) 4x3x3</p>	
	AW4110F-4BB-MY		AW4110F-4BB-P2

<p>规格(304料) 4x3x3</p>	
	AW4120F

■ 弹簧合页 (不锈钢) | SPRING BUTT HINGE-STAINLESS STEEL

<p>规格 (201料) 4"X3"X2.5 4"X3"X3</p>		<p>规格 (201料) 4"X2</p>	
	AW4003F		AW4004F

■ 屏风铰 (不锈钢) | SCREEN HINGE-STAINLESS STEEL

<p>规格 (304料) Φ12.2(4X3X2.5) Φ14.2(4X3X3) Φ14.2(5X3X3)</p>		<p>规格 (201料) Φ14.2(4X3X3) Φ14.2(5X3X3)</p>		<p>规格 (201料) Φ14.2(4X3X3) Φ14.2(5X3X3)</p>		<p>规格 (201料) Φ14.2(4X3X3) Φ14.2(5X3X3)</p>	
	AW4001FA-P2		AW4001FA-20		AW4001FA-21		AW4001FA-ORB

<p>规格 (304料) Φ12(100X70X2.5)</p>	
	AW4001F-P2

■ 铰链 (不锈钢) | HINGE-STAINLESS STEEL

<p>规格 (304料) 5X4X3 Φ18(128.5X101.6X3)</p>		<p>规格 (304料) 100X32X2.5</p>		<p>规格 (304料) 100X16X3</p>	
	AW4411F		AY8210F-P2(12)		AY8211F-P2(12)

DOOR HARDWARE

DOOR HARDWARE

■门吸(铜) | DOOR HOLDER-COPPER



AW1711C-02



AW1711C-B5



AW1711C-BM



AW1765-03



AW1765-12



AW1765-20



AW1765-21

■门吸(锌合金) | DOOR HOLDER-ZINC ALLOY



AW1761-03



AW1761-12



AW1761-20



AW1761-21



AW1768-03



AW1768-12



AW1768-21



AW1768-ORB



AW1762-03



AW1762-12



AW1762-20



AW1762-21



AW1743-12



AW1743-21



AW1774-31



AW1775-31



AW1762-ORB

DOOR HARDWARE

DOOR HARDWARE



AW1777-Q1



AW1777-QY

■ 门吸 (不锈钢) | DOOR HOLDER-STAINLESS STEEL



AW1743F-P2



AW1773F-P2



AW1762F-P2



AW1769F-P2

■ 插销 (铜) | FLUSH BOLT-COPPER

规格
6"
8"
10"
12"



AW1639C-12

规格
6"
8"
10"
12"



AW1639C-21

规格
6"
8"
10"
12"



AW1639C-22

■ 插销 (不锈钢) | FLUSH BOLT-STAINLESS STEEL

规格
6"
8"
10"



AW1620F-21

规格
6"
8"
10"



AW1620F-P2

规格
6"
12"



AW1620F-20

规格
6"
8"
10"
12"



AW1632F-P2

规格
6"
8"
10"
12"



AW1633F

规格
6"X16.5
8"X16.5
10"X16.5
12"X16.5



AW1635F

■ 自动插销 | FLUSH BOLT



AW1636-P2(12)

■ 门顶(锌合金) | DOOR STOPPER-ZINC ALLOY



AW2120-03



AW2120-12



AW2210-03



AW2210-12



AW2210-21



AW2210-ORB



AW2661-31



AW2662-31

■ 门顶(不锈钢) | DOOR STOPPER-STAINLESS STEEL



AW2120FA-P2



AW2120F-P2

■ 弹珠铰 | SPRING LATCH



AW1310-00



AW1310-10



AW1310-20



AW1312-P2



AW1320F-P2

■ 管井锁 | TUBE LOCK



AW1530-00



AW1530-12



AW1530F

DOOR HARDWARE

DOOR HARDWARE

■ 防盗链 | DOOR CHAIN



AW3210A-03

AW3210A-12

AW3210A-ORB



AW3313-02

AW3313-12



AW3110-12(改进型)

AW3316-02

■ 防尘筒 (不锈钢) | DUST PROOF-STAINLESS STEEL



规格
Φ12

规格
Φ12
Φ13

AW4616F-42

AW4616F-P2

■ 吊轮 (铁/不锈钢) | HANG ROLLER-IRON/STAINLESS STEEL



配套: AY8401
承重: 40kg

配套: AY8401
承重: 40kg

配套: AY8401
承重: 120kg

配套: AY8404
承重: 25kg

AY8313A

AY8315A

AY8315C

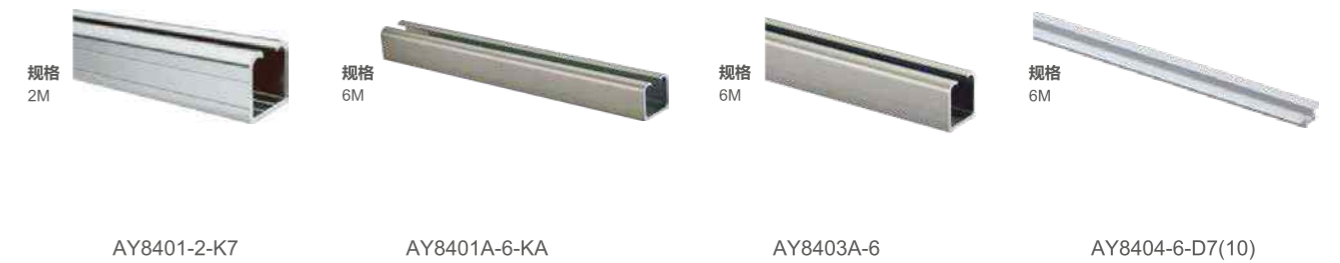
AY8316A



配套: AY8403
承重: 40kg

AY8319

■ 导轨 (铝合金) | HANG RAIL-ALUMINUM ALLOY



规格
2M

规格
6M

规格
6M

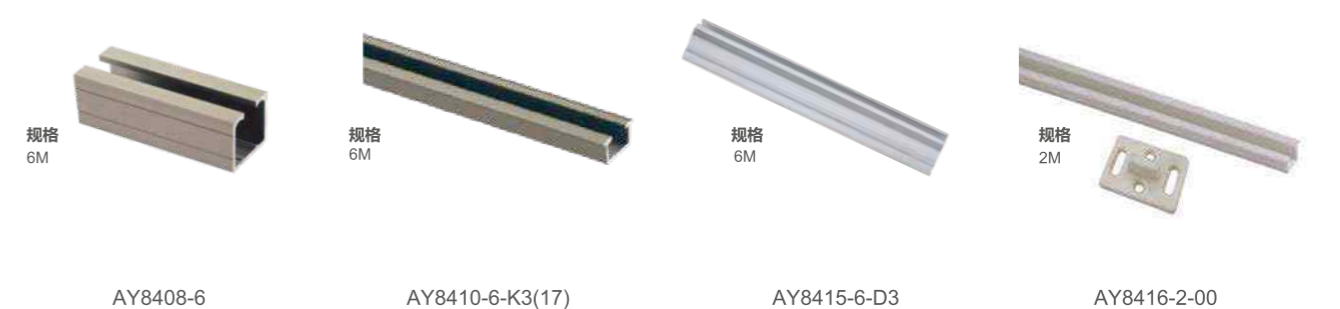
规格
6M

AY8401-2-K7

AY8401A-6-KA

AY8403A-6

AY8404-6-D7(10)



规格
6M

规格
6M

规格
6M

规格
2M

AY8408-6

AY8410-6-K3(17)

AY8415-6-D3

AY8416-2-00

DOOR HARDWARE

DOOR HARDWARE

地弹簧 | FLOOR SPRING



AD1211



AD1211



AD1211/AD1210 上支臂组件



AD1211/AD1210 下支臂组件



AD2520/AD2620 上支臂组件



AD2520/AD2620 下支臂组件



AD2520-01



AD2620-01



AD2710



AD1210

闭门器 | DOOR CLOSER



AB0210A-51-10



AB0210A-51-18



AB0330-02-10



AB0330-02-18



AB0330-03B-10



AB0330D-02-10
(带定位功能)



AB0330D-02-18
(带定位功能)



AB0430-01-10



AB0430-01-18



AB0430D-01-18
(带定位功能)



AB0310A-51-10



AB0030-03A-10

DOOR HARDWARE

DOOR HARDWARE

■ 玻璃门夹(不锈钢) | GLASS DOOR CLAMP-STAINLESS STEEL



AG9110FA-P2



AG9210FA-P2



AG9310FA-P2



AG9410FA-P2



AG9510B-P2

■ 玻璃门夹(铝合金) | GLASS DOOR CLAMP-ALUMINUM



AG9310E-P2(12)



AG9410E-12

■ 顺位器 | DOOR DRAWER



AW4711F

密封胶 | SEALANT



AY8301-900MM-D7(10)

拉手(不锈钢) | DOOR KNOB-STAINLESS STEEL



AY6128F-P2(12)



规格
Φ73

AY6140F-P2(12)



AG7050C-BO



AG7048C-ORB



AG7049C-ORB

防盗眼 | DOOR VIEWER



AW4620C-02



AW4620C-B5



AW4631C-B5

规格
Φ26
Φ30



AW4610C-22

规格
Φ30



AW4610C-20



AW4630C-ORB

DOOR HARDWARE

DOOR HARDWARE

■ T60系列-铜(铬31) | T60 SERIES-COPPER(CHROME 31)



NEW AT0160C-31



NEW AT0360C-31



NEW AT0760C-31



NEW AT0160CA-31

■ T60系列-铜(雅黑T4) | T60 SERIES-COPPER(MATTE BLACK T4)



NEW AT0160C-T4



NEW AT0360C-T4



NEW AT0760C-T4



NEW AT0160CA-T4

■ T59系列-铜(铬31) | T59 SERIES-COPPER(CHROME 31)



NEW AT0859CA-31



NEW AT0859C-31



NEW AT0759C-31



NEW AT0959C-31



NEW AT0359C-31

■ T59系列-铜(雅黑T4) | T59 SERIES-COPPER(MATTE BLACK T4)



NEW AT0859CA-T4



NEW AT0859C-T4



NEW AT0759C-T4



NEW AT0959C-T4



NEW AT0359C-T4

■ T59系列-铜(钛丝灰BX) | T59 SERIES-COPPER(TITANIUM WIRE ASH BX)



NEW AT0859CA-BX



NEW AT0859C-BX



NEW AT0759C-BX



NEW AT0959C-BX



NEW AT0359C-BX

BATH
ROOM
HARDWARE

BATH
ROOM
HARDWARE

■ T60系列-铜(钛丝灰BX) | T60 SERIES-COPPER(TITANIUM WIRE ASH BX)



NEW AT0160C-BX



NEW AT0360C-BX



NEW AT0760C-BX



NEW AT0160CA-BX

■ T63系列-锌合金+不锈钢(钛丝灰BX) | T63 SERIES-ZINC ALLOY+STAINLESS STEEL(TITANIUM WIRE ASH BX)



NEW AT0163-BX



NEW AT0363-BX



NEW AT0963-BX



NEW AT0863A-BX



NEW AT0763-BX

■ T64系列-铝合金(丝黑E12) | T64 SERIES-ALUMINUM(SILK BLACK E12)



NEW AT0864EA-E12



NEW AT0864E-E12



NEW AT0964E-E12

■ T61系列-铜(铬31) | T61 SERIES-COPPER(CHROME 31)



NEW AT0361C-31



NEW AT0961C-31



NEW AT0861CA-31



NEW AT0761C-31

■ T62系列-锌合金+不锈钢(雅黑T4) | T62 SERIES-ZINC ALLOY+STAINLESS STEEL(MATTE BLACK T4)



NEW AT0162-T4



NEW AT0362-T4



NEW AT0962-T4



NEW AT0862A-T4



NEW AT0762-T4

BATH
ROOM
HARDWARE

BATH
ROOM
HARDWARE

■ T11系列-铝合金(沙银D7) | T11 SERIES-ALUMINUM(SILVER D7)



AT0111-D7

AT0211-D7(10)

AT0311A-D7

AT0311B-D7



AT0611S+T1311-D7

AT0711-24"-D7

AT0811-24"-D7



AT0811B-24"-D7

AT0911-D7

AT1111AS-D7



AT1111BS-D7



AT1211A-D7



AT1211B-D7

■ T11系列-铝合金(哑黑DM) | T11 SERIES-ALUMINUM(MATTE BLACK DM)



AT0111-DM

AT0211-DM

AT0311A-DM

AT0311B-DM



AT0611S+T1311-DM

AT0711-24"-DM

AT0811-24"-DM



AT0811B-24"-DM

AT0911-DM

AT1111AS-DM



AT1111BS-DM



AT1211A-DM



AT1211B-DM

BATH
ROOM
HARDWARE

BATH
ROOM
HARDWARE

■ T36系列-铜(铬31) | T36 SERIES-COPPER(CHROME 31)



AT0136C-31



AT0236C-31



AT0336C-31



AT0936C-31



AT0736C-31



AT0836C-31



AT0836CA-31

■ T39系列-铜(铬31) | T39 SERIES-COPPER(CHROME 31)



AT0139CA-31



AT0139CB-31



AT0139CC-31



AT0239C-31



AT0339C-31



AT0739C-31



AT0939C-31

■ T24系列-铜(铬31) | T24 SERIES-COPPER(CHROME 31)



AT0124C-31C



AT0124CA-31



AT0224C-31C



AT0324CB-31C



AT0324CC-31C



AT0424C-31C



AT0524C-31C



AT0624C-31C



AT0724C-24"-31C



AT0824CA-24"-31C



AT0824CB-31C



AT0924C-31C



AT1024C-31C

T29系列-铜(K金02) | T29 SERIES-COPPER(KARAT 02)



AT0129C-02



AT0229C-02



AT0329C-02



AT0629C-02



AT0729C-02



AT0829C-02



AT0829CB-02



AT0929C-02



AT0129C-B5



AT0229C-B5



AT0329C-B5



AT0429C-B5



AT0529C-B5



AT0629C-B5



AT0729C-B5



AT0829C-B5



AT0829CB-B5



AT0929C-B5



AT1029C-B5

T29系列-铜(震研青古B5) | T29 SERIES-COPPER(BRONZE B5)

BATH
ROOM
HARDWARE

BATH
ROOM
HARDWARE

T30系列-铜(雅黑T4) | T30 SERIES-COPPER(MATTE BLACK T4)



NEW AT0130C-T4



NEW AT0330C-T4



NEW AT0730C-T4



NEW AT0830C-T4



NEW AT0830CB-T4

T30系列-铜(铬31) | T30 SERIES-COPPER(CHROME 31)



AT0130C-31



AT0130CA-31



AT0230C-31



AT0330C-31



AT0730C-31



AT0830C-31



AT0830CB-31



AT0930F-P1

BATH
ROOM
HARDWARE

BATH
ROOM
HARDWARE



AT0839C-31



AT0839CA-31

■ 化妆镜 | DRESSING MIRROR



AT1801-8"-31



AT1802-8"-31



AT1803A-10"-31

■ 面巾纸箱 | TISSUE CLOSET



AT1502A-P1



AT1504-P2



AT1508-P2



AT1505-P2

■ 纸巾座 | TISSUE CLOSET



AT1703-P1



AT1711FA-P1



AT1711F-P1



NEW AT1727C-31



NEW AT1727C-BX



NEW AT1727C-T4



NEW AT1728C-31



NEW AT1728C-BX



NEW AT1728C-T4



NEW AT1728CA-31



NEW AT1728CA-BX



NEW AT1728CA-T4



NEW AT1729C-31



NEW AT1729CA-31



NEW AT1730E-E12



NEW AT1731-T4

BATH
HARD ARE
W
OO
M

BATH
HARD ARE
W
OO

衣钩 (锌合金) | HOOK-ZINC ALLOY



AY3232-31



AY3233-31



AY3317-1-31



AY3317-4-31 (4钩)



AY3317-5-31 (5钩)



AY3317-6-31 (6钩)

浴缸拉手 | BATHTUB HANDLE



AT4021C-16"-31

地漏 | DRAINAGE FUNNEL



AT5132C-31



AT5143FC-P2



AT5318F-P2



AT5320C-21



AT5320C-31



AT5321C-21



AT5321C-31



AT5322C-21



AT5322C-31



AT5323C-21



AT5323C-31



AT5324C-21



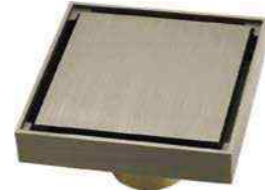
AT5324C-31



AT5325C-21



AT5325C-31



AT5326C-21



AT5326C-31



AT5328



AT5329C-21



AT5330C-21

防水胶条 | WATERPROOF RUBBER



AY8304A-10(2米)



AY8304B-10(2米)



AY8305A-10(2米)



AY8305B-10(2米)



AY8306A-10(2米)



AY8307A-10(2米)

网架 | NET HOLDER-STAINLESS STEEL



AT8001FA-31



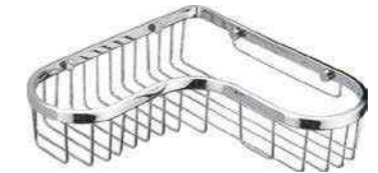
AT8001FA-ORB



AT8028FA-P1



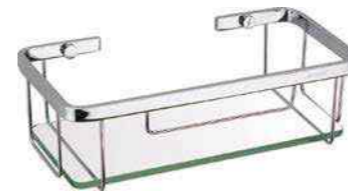
AT8002FA-31



AT8003FA-31



AT8004FA-31



AT8005FA-31



AT8006FA-31



AT8008FB-31



NEW AT8034E-E12

BATH
ROOM
HARDWARE

BATH
ROOM
HARDWARE

晾衣架 | CLOTHES RACK



AT6010A-P1



AT6011-P1

门铰 (不锈钢) | HINGE-STAINLESS STEEL



AG5210C-12



AG5210C-31



AG5213FA



AG5213FB



AG5213FD-KB1



AG5213FD-P1



AG5213FD-P2



AG5310C-31



AG5313F



AG5313FA-KB1



AG5313FA-P1



AG5313FA-P2



AG5410C-12



AG5410C-31



AG5413F



AG5413FA-KB1



AG5413FA-P1



AG5413FA-P2

拉手 (不锈钢) | DOOR HANDLE-STAINLESS STEEL

规格
Φ19*16"
Φ19*18"
Φ25*16"



AG7021F-P1



AG7024C-31

淋浴房配件 | BATHROOM ACCESSORIES



G8801C-31



G8803C-31



G8804F-31



AG8802C-31

■ 复古系列小拉手 (锌合金) | FURNITURE HANDLE-ZINC ALLOY



AK6183-21



AK6213-02



AK6213-B5



AK6222-02



AK6237-B5



AK6237-BB



规格(mm)
DIEMENSION
L 96
128

AK6236-L-B5



规格(mm)
DIEMENSION
L 96
128

AK6236-L-BB



AK6222-B5

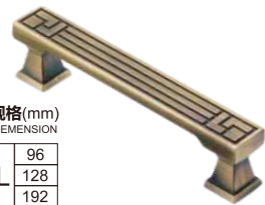


规格(mm)
DIEMENSION
L 128

AK6236-L-BH



AK6199-36

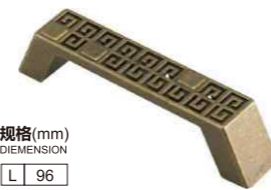


规格(mm)
DIEMENSION
L 96
128
192

AK6205-L-36



AK6234-B5



规格(mm)
DIEMENSION
L 96

AK6233-L-B5



AK6239-21



AK6239-B5



规格(mm)
DIEMENSION
L 64

AK6206-L-12



规格(mm)
DIEMENSION
L 64

AK6206-L-36



AK6217-B5



规格(mm)
DIEMENSION
L 96

AK6219-L-02



规格(mm)
DIEMENSION
L 96

AK6219-L-B5



规格(mm)
DIEMENSION
L 96

AK6219-L-BB



AK6179-02



AK6179-21



AK6240-02



AK6187-02

FURNITURE HARDWARE

FURNITURE HARDWARE



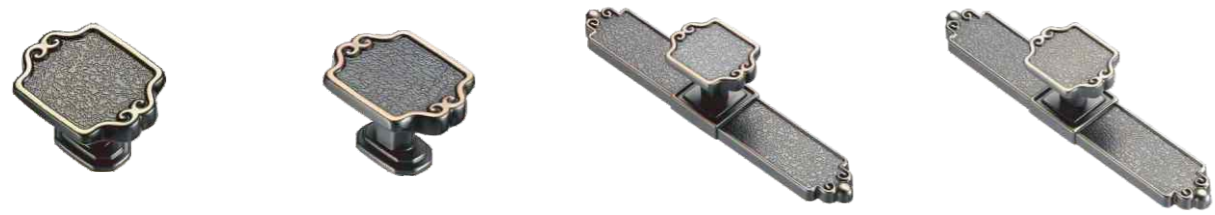
AK6194-L-21

AK6194-L-B5

AK6224-L-BB

AK6224-L-BL

■ 简约系列小拉手 (锌合金) | FURNITURE HANDLE-ZINC ALLOY



AK6260A-36

AK6260A-ORB

AK6260B-36

AK6260B-ORB



AK6260C-36

AK6260C-ORB

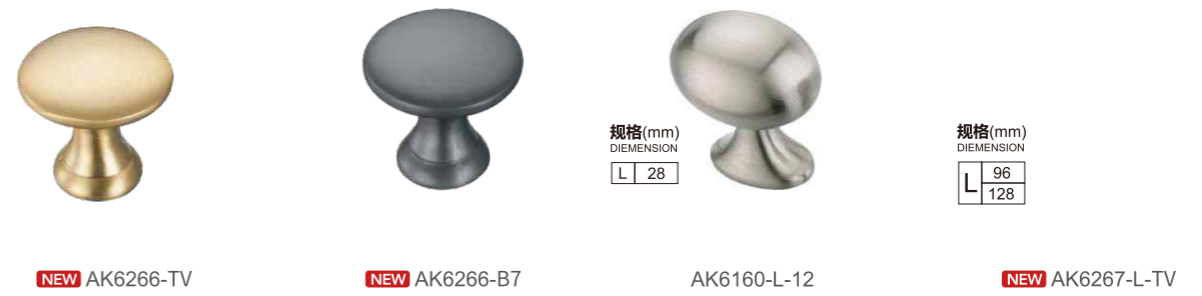


AK6261-M3

AK6261-M7

AK6261-L-M3

AK6261-L-M7



NEW AK6266-TV

NEW AK6266-B7

AK6160-L-12

NEW AK6267-L-TV



NEW AK6267-L-B7

AK6149-L-12

NEW AK6268-L-31

NEW AK6268-L-12



NEW AK6271-L-04

NEW AK6271-L-B7

NEW AK6271-L-T4



AK6113-L-02

AK6113-L-74

AK6113-L-78

FURNITURE HARDWARE



规格(mm)
DIMENSION

L	96
	128
	160
	192

NEW AK6269-L-12



规格(mm)
DIMENSION

L	96
	128
	160

NEW AK6270-L-12



规格(mm)
DIMENSION

L	96
---	----

AK6122-L-12



规格(mm)
DIMENSION

L	96
---	----

AK6123-L-02



规格(mm)
DIMENSION

L	96
	128

AK6129-L-02



规格(mm)
DIMENSION

L	96
	128

AK6129-L-12



规格(mm)
DIMENSION

L	96
	128

AK6134-L-02



规格(mm)
DIMENSION

L	96
	128

AK6134-L-63



规格(mm)
DIMENSION

L	128
---	-----

AK6139-L-12



规格(mm)
DIMENSION

L	64
---	----

AK6147-L-12



规格(mm)
DIMENSION

L	96
---	----

AK6232-L-33



规格(mm)
DIMENSION

L	128
---	-----

AK6243A-L-B5



规格(mm)
DIMENSION

L	96
---	----

AK6126-L-02



规格(mm)
DIMENSION

L	96
---	----

AK6126-L-64



规格(mm)
DIMENSION

L	96
---	----

AK6126-L-78



规格(mm)
DIMENSION

L	96
---	----

AK6115-L-02



规格(mm)
DIMENSION

L	96
---	----

AK6115-L-74

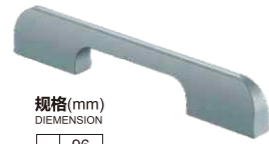
■ 简约系列小拉手 (铝) | FURNITURE HANDLE-ALUMINIUM



规格(mm)
DIMENSION

96
L 128
896

NEW AK6129E-L-DM



规格(mm)
DIMENSION

96
L 128
896

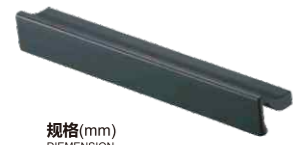
NEW AK6129E-L-E4



规格(mm)
DIMENSION

96
L 128
896

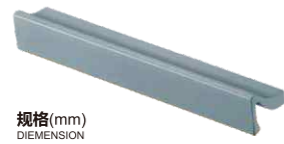
NEW AK6129E-L-DP



规格(mm)
DIMENSION

96
L 128
896

NEW AK6130E-L-DM



规格(mm)
DIMENSION

96
L 128
896

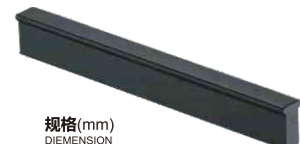
NEW AK6130E-L-E4



规格(mm)
DIMENSION

96
L 128
896

NEW AK6130E-L-DP



规格(mm)
DIMENSION

96
L 128
896

NEW AK6131E-L-DM



规格(mm)
DIMENSION

96
L 128
896

NEW AK6131E-L-E4



规格(mm)
DIMENSION

96
L 128
896

NEW AK6131E-L-DP

■ 暗藏式小拉手 | FURNITURE HANDLE



AK6164-12



AK6166-12



AK6167-12



规格(mm)
DIMENSION

96
L 128

AK6168-L-12



AK6253-12

FURNITURE HARDWARE

FURNITURE HARDWARE

■ 抽屉锁 | DRAWER LOCK



规格(mm)
DIMENSION

L	22
	30
	38

AK0001-31

■ 衣物架座/杆 | TUBE HOLDER/CLOSET ROD



规格(mm)
DIMENSION

L	3.6m
---	------

AK3401-02A



AK3401-21



规格(mm)
DIMENSION

L	3.6m
---	------

AK3401



AK3401-31



AK3402-21



AK3402-31



规格(mm)
DIMENSION

L	3.6m
---	------

AK3404E-02



AK3404A-45

■ 镜钉&板托 | DECORATION COVER /SHELF SUPPORT



AK3206-31



AK3208-31

■ 烟斗铰 | CONCEALED HINGE



AK8247A-10 (内藏)



AK8247C-10 (内藏)



AK8248A-10 (半盖)



AK8248C-10 (半盖)



AK8249A-10 (全盖)



AK8249C-10 (全盖)



AK8257A-10 (内藏)



AK8258A-10 (半盖)



AK8259A-10 (全盖)



AK8347C-10 (内藏)



AK8348C-10 (半盖)



AK8357C-10 (内藏)



AK8358C-10 (半盖)



AK8359C-10 (全盖)



AK8368B-10 (半盖,Φ40)



AK8377B-10 (内藏)



AK8378B-10 (半盖)



AK8379B-10 (全盖)



AK8367D-10 (内藏, Φ40)



AK8368D-10 (半盖, Φ40)



AK8369D-10 (全盖, Φ40)

■ 柜门铰 | CABINET HINGE



AK8220-02

■ 三节轨 | DRAWER SLIDER



规格(mm)
DIMENSION
10".12".14".16".
18".20".22"

AK8113-L-蓝锌



规格(mm)
DIMENSION
12".14".16".
18".20".22"

AK8114-L-48-蓝锌