



Android



iPad



iPhone



GUANGDONG ARCHIE HARDWARE CO., LTD

Add: Changhong Ridge Industrial Park, Shishan, Nanhai, Foshan, Guangdong, China P.O.528225  
T: 86-757-85513231 F: 86-757-85589301 Service Hot Line: 4008-831-831  
www.archie.com.cn E: info@archie.com.cn

ARCHIE 2019



SAFESELECT

# Security Screen Door Solution

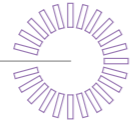
**WE CARE FOR YOUR SAFETY**

10 YEAR MECHANICAL WARRANTY

[www.archie.com.cn](http://www.archie.com.cn)

# Contents

## Security Door Lock



### Hinge Security Door Lock - Standard Range

- Round page 1 / 2



### Hinge Security Door Lock - Standard Range

- Square page 1 / 2



### Hinge Security Door Lock - High Strength Range

- Round page 3 / 4



### Hinge Security Door Lock - High Strength Range

- Square page 3 / 4



### Sliding Security Door Lock

- Round page 5 / 6



### Sliding Security Door Lock

- Square page 5 / 6



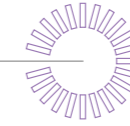
### Sliding Security Door Lock

- Square page 7 / 8



# Contents

## Door Accessories Hardware



### Cylinder

page 9 / 10



### Screen Door Hinges

page 11



### Pneumatic Door Closer

page 12



# Hinge Security Door Lock - Standard Range



## Application/Description

Single or Multi point hinged security or screen door lock, with SAFESELECT® Snibbed/Dead Lock Options for additional safety.

## Standard Colours

Black	BK
Brown	BR
Primrose	PR
White	WH

**Note:** Special colours available on request

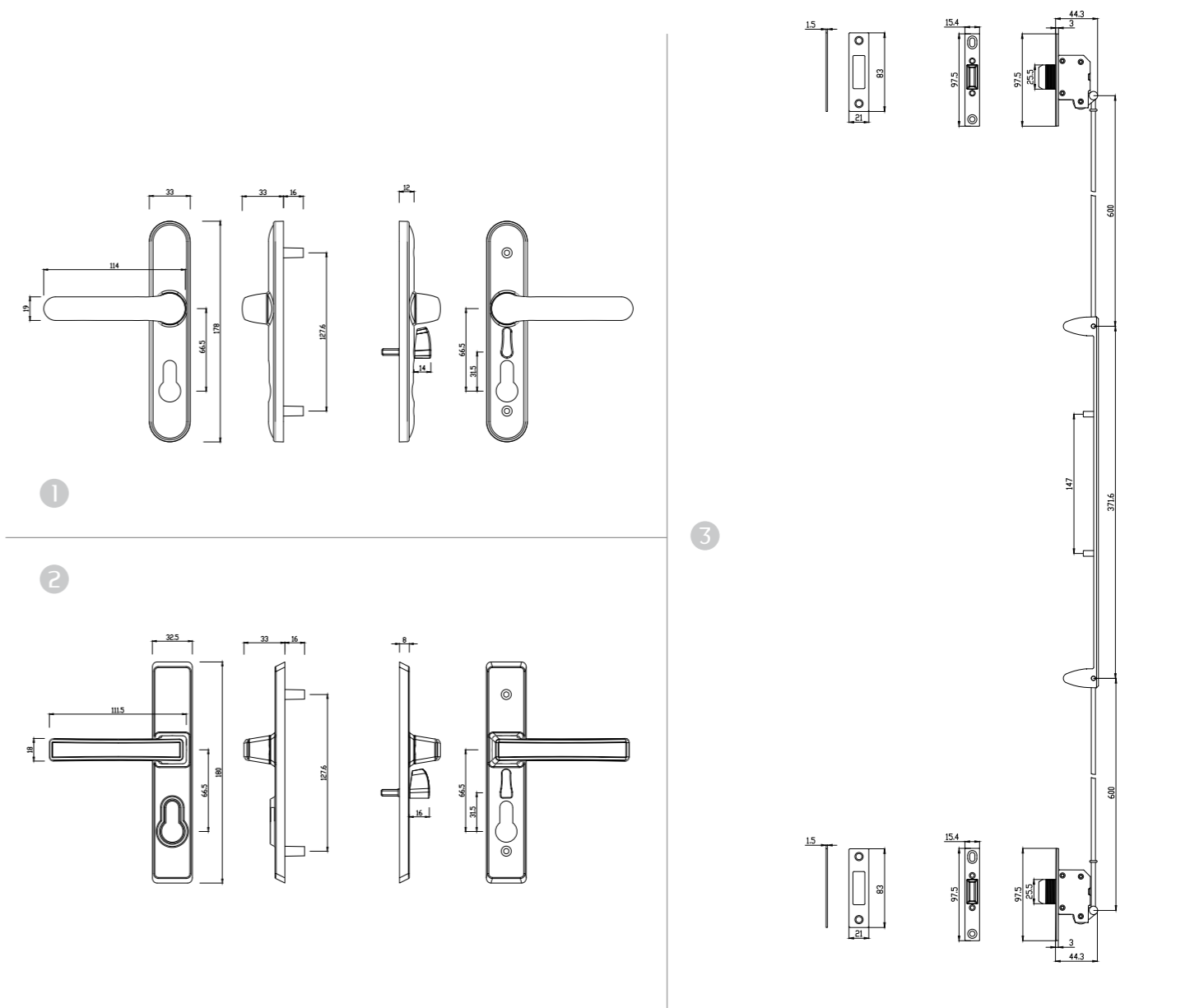
## 3 Point Kits

Black (Standard)	BK
------------------	----

## Features and Specifications

- Two choices of contemporary styled furniture
- Serrated locking bolt provides extra grip against forced entry
- Furniture is non-handed - suits left-hand and right-hand doors
- 3 point kits for additional security available - fit above or below door centre
- Fits industry standard cut outs
- Zinc diecast furniture
- Large ergonomically designed inside snib lever
- Pressed steel lock body and face plate – provides additional strength
- Lock tested and conforms to the relevant requirements of Australian Standards AS4145.2 - 2008 to physical security level S7 and durability level D6
- Standard strength lock tested and passed on security screen doors in accordance with Australian Standard AS5039 - 2008 : Security Screen Doors and Security Window Grills and AS5041 - 2003 : Methods of Test
- Easy installation
- Mortice lock with inside snib lever
- Key overrides snib application
- Automatic latching
- Operation with Archie Euro profile floating cam cylinders
- Suit standard 20 mm door thickness
- Stainless steel strikes
- Only trade pack option available

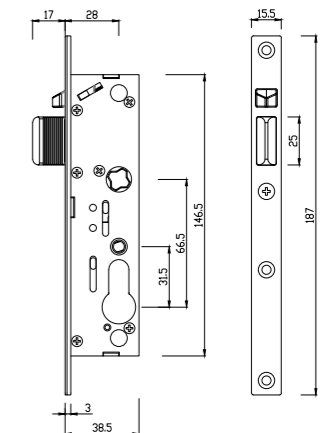
# Hinge Security Door Lock - Standard Range



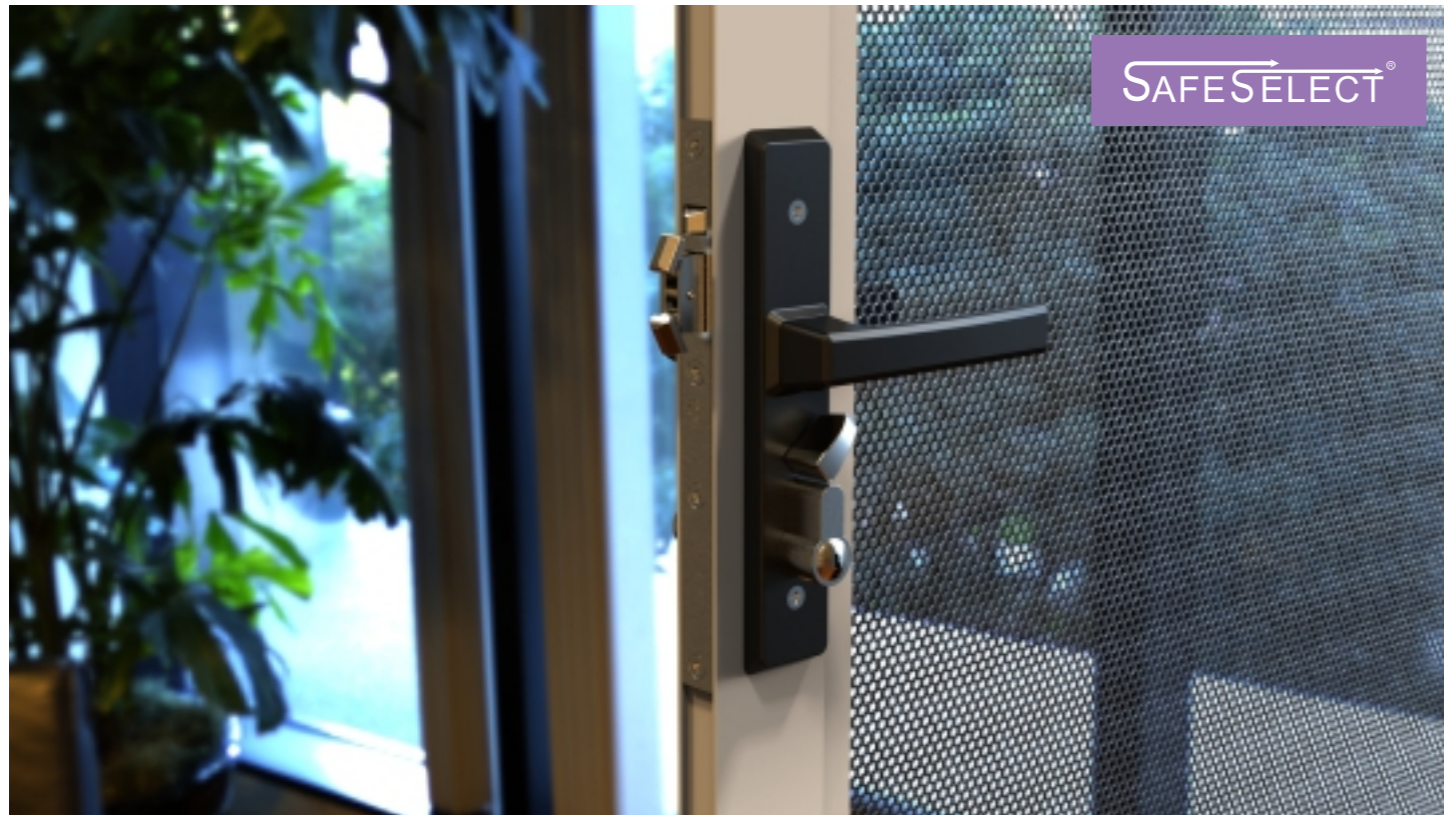
## Item Numbers

- 1 ARHSL/STRO-BK Hinge Security Door Lock ST - Round
- 2 ARHSL/STSQ-BK Hinge Security Door Lock ST - Square
- 3 ARH3P/ST00-BK Hinge Security Door Lock ST - 3pt kit

\*( BK ) Refer to Standard Colours



# Hinge Security Door Lock - High Strength Range



## Application/Description

Single or Multi point hinged security or screen door lock, with SAFESELECT® Snibbed/Dead Lock Options for additional safety.

## Standard Colours

Black	BK
Brown	BR
Primrose	PR
White	WH

**Note:** Special colours available on request

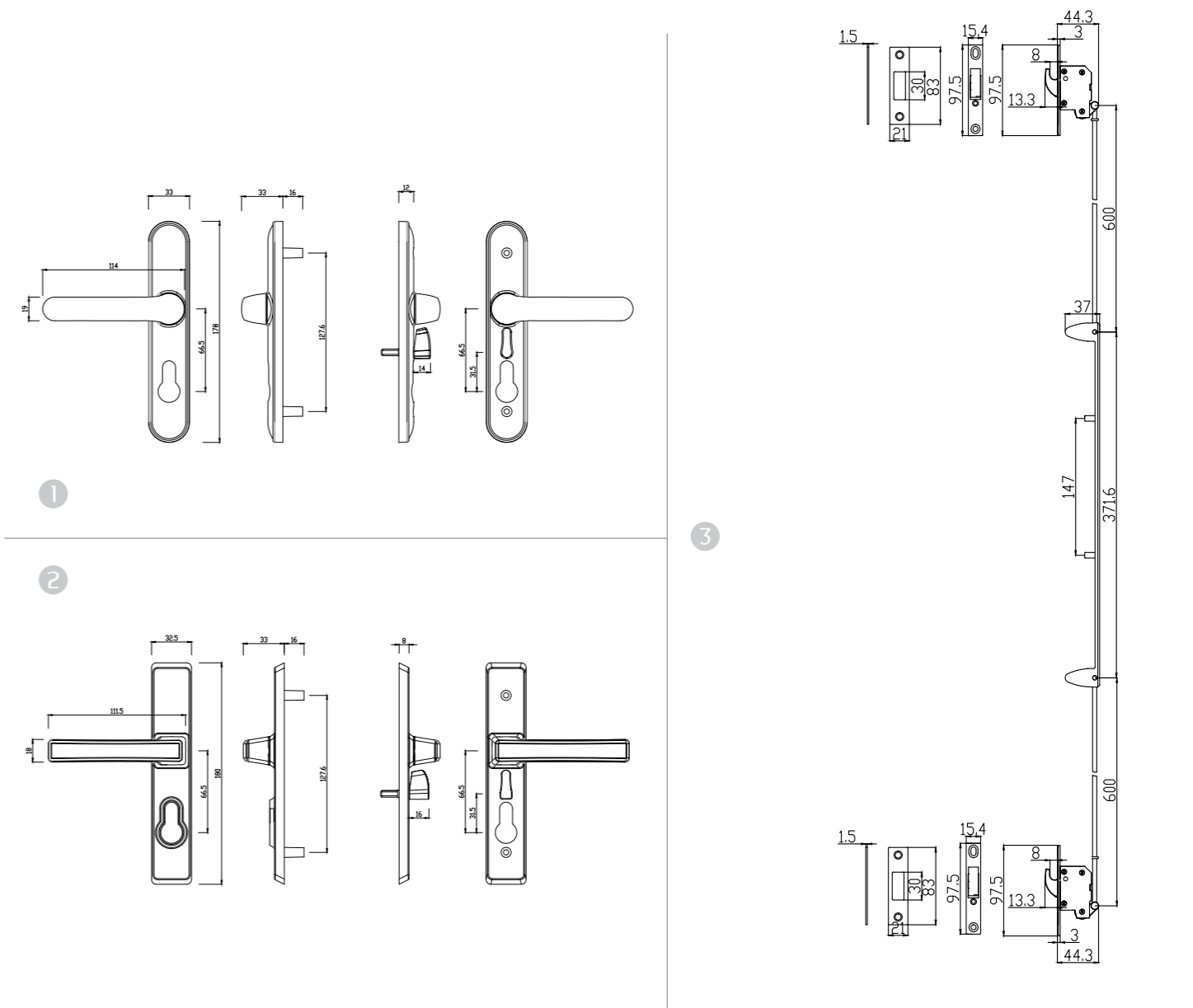
## 3 Point Kits

Stainless Steel (High Strength) SS  
Stainless Steel (Standard) SS

## Features and Specifications

- Two choices of contemporary styled furniture
- Dual stainless steel hook bolt provides extra grip against force entry
- Furniture is non-handed - suits left-hand and right-hand doors
- Stainless steel(Hook bolt) and Standard (Projection bolt) 3 point kits for additional security available - fit above or below door centre
- Fits industry standard cut outs
- Zinc diecast furniture
- Large ergonomically designed inside snib lever
- Pressed steel lock body and stainless steel face plate – provides additional strength
- Lock tested and conforms to the relevant requirements of Australian Standards AS4145.2 - 2008 to physical security level S7 and durability level D6
- Standard strength lock tested and passed on security screen doors in accordance with Australian Standard AS5039 - 2008 : Security Screen Doors and Security Window Grills and AS5041 - 2003 : Methods of Test
- Easy installation
- Mortice lock with inside snib lever
- Key overrides snib application
- Automatic latching
- Operation with Archie Euro profile floating cam cylinders
- Suit standard 20 mm door thickness
- Stainless steel strikes
- Only trade pack option available

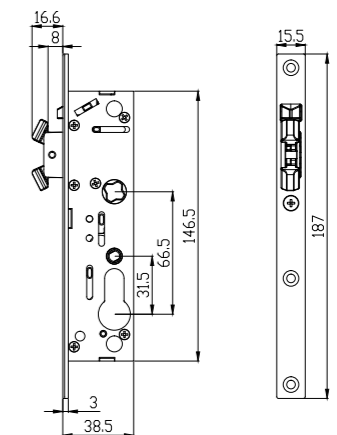
# Hinge Security Door Lock - High Strength Range



## Item Numbers

- |   |               |  |
|---|---------------|--|
| 1 | ARHSL/HIRO-BK | Hinge Security Door Lock HI - Round        |
| 2 | ARHSL/HISQ-BK | Hinge Security Door Lock HI - Square       |
| 3 | ARH3P/HI00-SS | Hinge Security Door Lock (HB) HI - 3pt kit |
| 4 | ARH3P/ST00-SS | Hinge Security Door Lock (PB) ST - 3pt kit |

\*( BK ) Refer to Standard Colours



# Sliding Security Door Lock – Standard and High Strength Range



## Application/Description

Single or Multi point hinged security or screen door lock, with **SAFESELECT** Snibbed/Dead Lock Options for additional safety.

## Standard Colours

Black	BK
Brown	BR
Primrose	PR
White	WH

**Note:** Special colours available on request

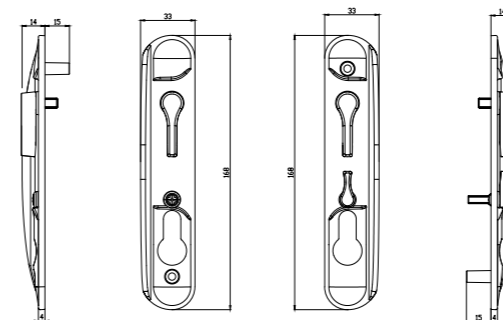
## 3 Point Kits

Black (Standard)	BK
Stainless Steel (High Strength)	SS

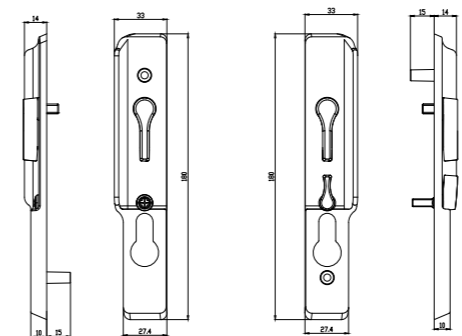
## Features and Specifications

- Two choices of contemporary styled furniture
- Suits left or right hand closing sliding doors
- Hook beak deadlock
- Deadlocking from both sides, with key
- Self latching
- Ergonomically designed inside snib lever
- Key overrides snib operation
- Operation with Archie Euro profile floating cam cylinders
- Optional Multi Point kits available for 3 point applications
- Fits industry standard cut outs
- Retrofit Multi Point kits available for 3 point applications
- Zinc diecast furniture
- Pressed steel lock body and face plate – provides additional strength
- High strength lock and 3 point locks have Stainless Steel keepers and Hook beaks
- Locks tested and conforms to the relevant requirements of Australian Standards AS4145.2 - 2008 to physical security level S7 and durability level D6
- High strength lock tested and passed on security screen doors in accordance with Australian Standard AS5039 - 2008: Security Screen Doors and Security Window Grills and AS5041 - 2003: Methods of Test
- Only trade pack option available

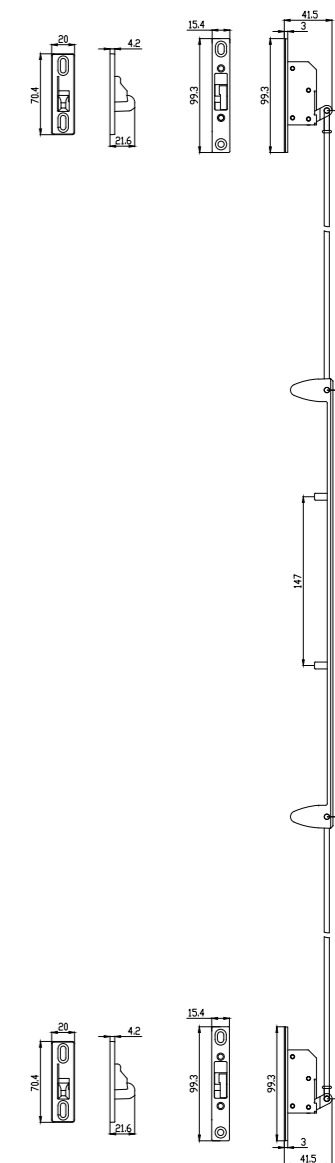
# Sliding Security Door Lock – Standard and High Strength Range



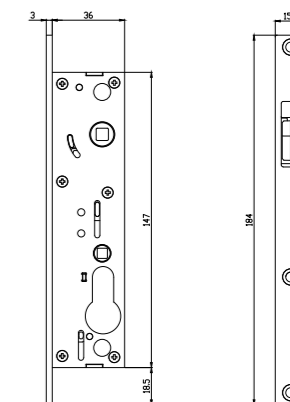
1



2



3



## Item Numbers

- |   |               |   |
|---|---------------|---|
| 1 | ARSSL/HIRO-BK | Sliding Security Door Lock HI - Round   |
| 1 | ARSSL/STRO-BK | Sliding Security Door Lock ST - Round   |
| 2 | ARSSL/HISQ-BK | Sliding Security Door Lock HI - Square  |
| 2 | ARSSL/STSQ-BK | Sliding Security Door Lock ST - Square  |
| 3 | ARS3P/HI00-SS | Sliding Security Door Lock HI - 3pt kit |
| 3 | ARS3P/ST00-BK | Sliding Security Door Lock ST - 3pt kit |

\*( BK ) Refer to Standard Colours

# Sliding Security Door Lock High Strength Range



## Application/Description

Single or Multi point hinged security or screen door lock, with **SAFESELECT** Snibbed/Dead Lock Options for additional safety.

## Standard Colours

Black	BK
Brown	BR
Primrose	PR
White	WH

**Note:** Special colours available on request

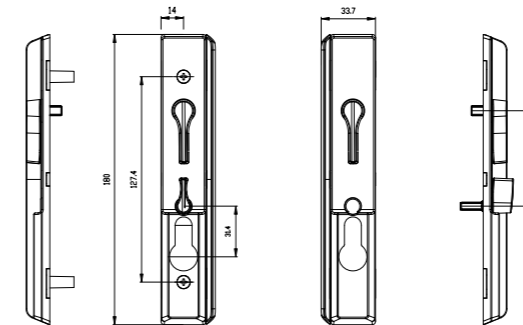
## 3 Point Kits

Black (Standard)	BK
Stainless Steel (High Strength)	SS

## Features and Specifications

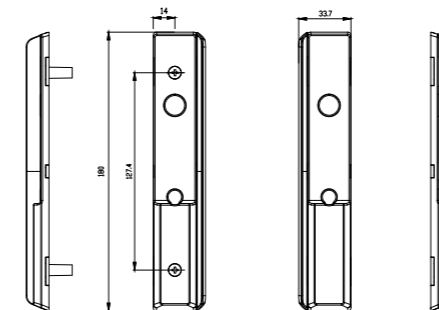
- Contemporary styled furniture
- Suits left or right hand closing sliding doors
- Hook beak deadlock
- Deadlocking from both sides, with key
- Self latching
- Ergonomically designed inside snib lever
- Key overrides snib operation
- Operation with Archie Euro profile floating cam cylinders
- Optional Multi Point kits available for 3 point applications
- Fits industry standard cut outs
- Retrofit Multi Point kits available for 3 point applications
- Zinc diecast furniture
- Pressed steel lock body and stainless steel face plate – provides additional strength
- High strength lock and 3 point locks have Stainless Steel keepers and Hook beaks
- Locks tested and conforms to the relevant requirements of Australian Standards AS4145.2 - 2008 to physical security level S7 and durability level D6
- High strength lock tested and passed on security screen doors in accordance with Australian Standard AS5039 - 2008: Security Screen Doors and Security Window Grills and AS5041 - 2003: Methods of Test
- Only trade pack option available

# Sliding Security Door Lock High Strength Range

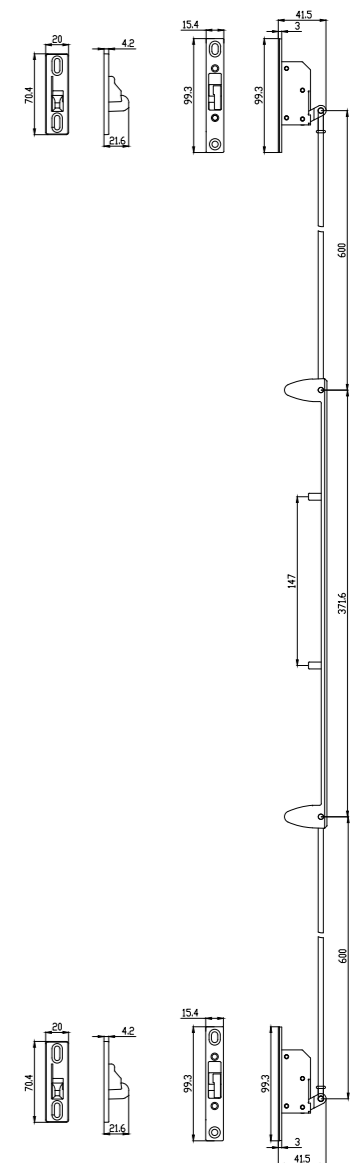


1

2



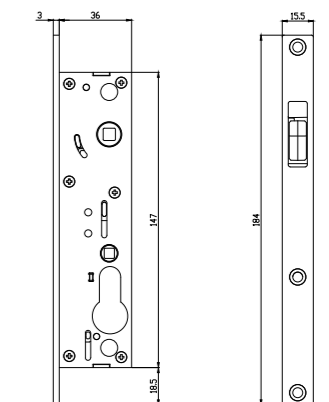
3



## Item Numbers

- 1 **ARSSL/H2SQ-BK** Sliding Security Door Lock HI/2- Square
- 2 **ARSSL/DMSQ-BK** Sliding Security Door Dummy Handle - Square
- 3 **ARS3P/HI00-SS** Sliding Security Door Lock HI - 3pt kit

\*( BK ) Refer to Standard Colours



## Cylinder – Euro Profile Floating Cam



### Application/Description

Cylinder to suit Archie Sliding and Hinge security, safety, barrier and screen door lock range.

### Standard Colours

Chrome	CP
Brushed Chrome	BC

### Keying

Two chrome plated brass keys included

Two versions available:

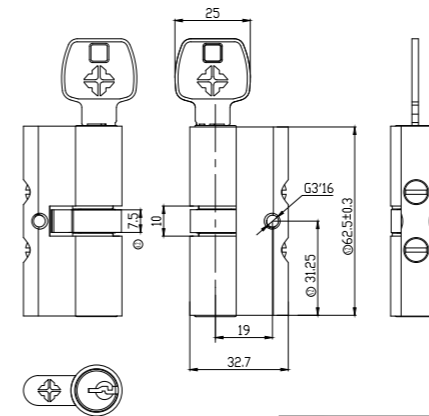
- 5 pin, C4 key profile cylinder, can be keyed alike to other 5 pin C4 cylinders
- 10 wafer, profile cylinder

**Note:** Brush Chrome colour is only for solid Brass cylinder

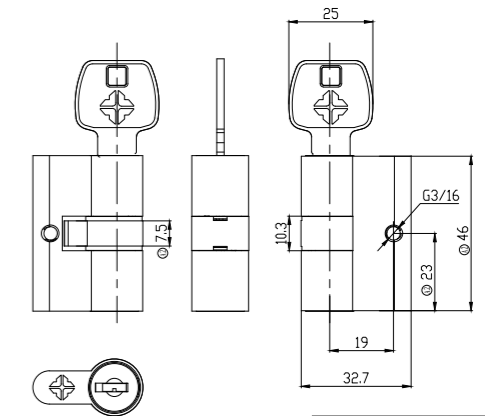
### Features and Specifications

- Available in Bright Chrome
- Brass cylinder available in Brushed Chrome
- Double cylinder, C4 key profile
- Brass and zinc die-cast materials
- Only trade pack option available

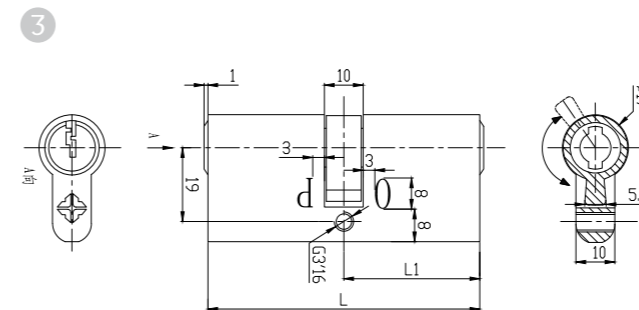
## Cylinder Range – Euro Profile Floating Cam



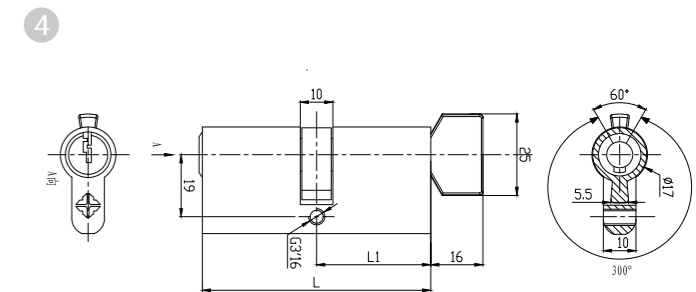
1



2



3



4

### Item Numbers

- |   |               |   |
|---|---------------|---|
| 1 | ARPCY/ST00-CP | Security Screen Door Pin Cylinder       |
| 2 | ARWCY/ST00-CP | Security Screen Door Wafer Cylinder     |
| 3 | ARPCY/ST00-BC | Security Screen Door Pin Cylinder-BR    |
| 4 | ARPCY/STTK-BC | Security Screen Door Pin Cylinder TK-BR |

# Screen Door Hinges

## Application/Description

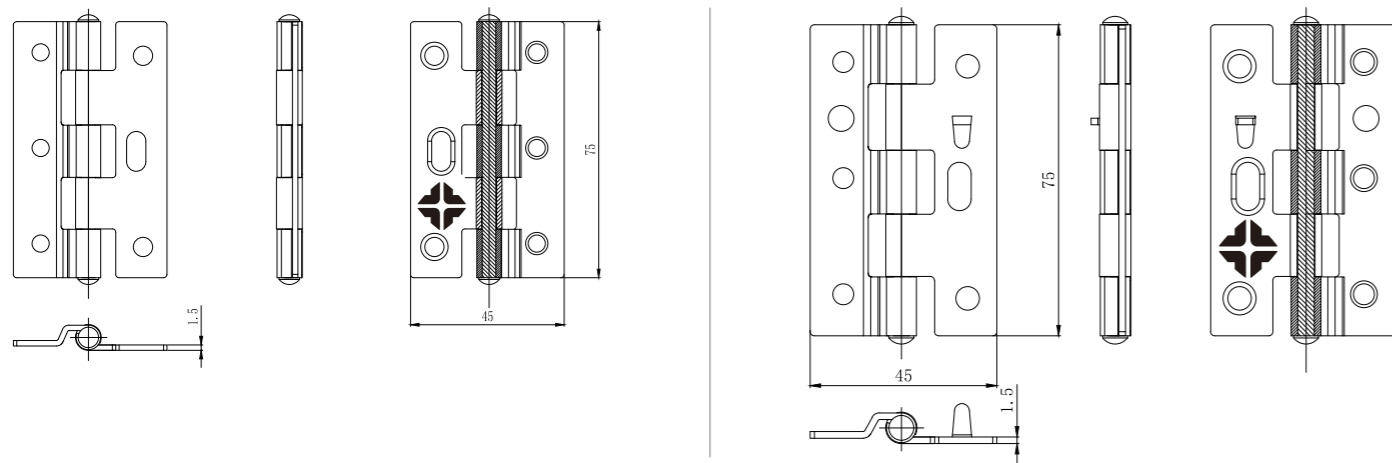
Steel hinges specifically designed for aluminium security screen doors.

## Features and Specifications

- Stainless Steel material with stainless steel fixed pin
- Door leaf sits over lip on edge of door style for added security
- Standard and Pronged versions available
- Pronged version increases door security when door is closed the prong engages into the door stile, keeping the door captive, even when hinge pin is removed
- Only trade pack option available

## Standard Colours

Stainless Steel	SS
Black	BK
White	WH



## Item Numbers

ARSDH/ST00-SS	Security Door Hinges - Standard
ARSDH/PR00-SS	Security Door Hinges - Pronged

# Pneumatic Door Closer

## Application/Description

Hinged screen and security screen doors.

## Features and Specifications

- Smooth pneumatic operation
- Suits left or right hand closing hinged doors
- Surface mounted
- Adjustable closing speed
- Hold open bracket
- Aluminium tube for consistent operation
- Only trade pack option available

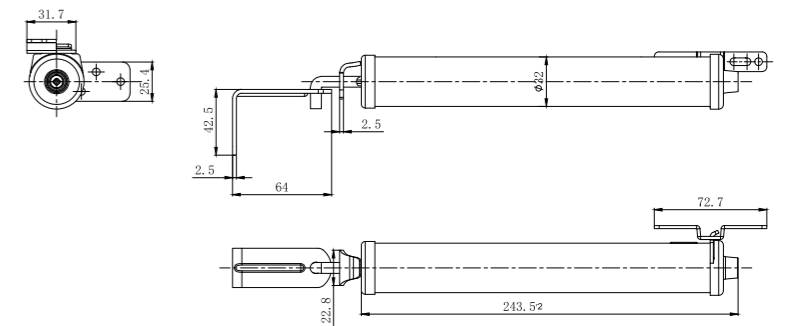
## Specifications

Suitable for security or screen doors up to 18 Kg

## Standard Colours

Black	BK
Brown	BR
Primrose	PR
White	WH

**Note:** No special colours available



## Item Numbers

ARPDC/ST00-BK	Pneumatic Door Closer - Screen Doors
---------------	--------------------------------------

\*( BK ) Refer to Standard Colours